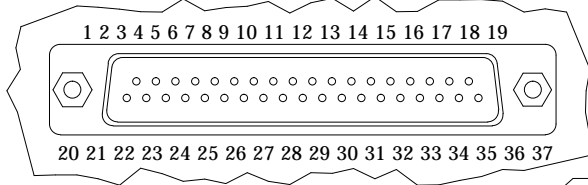


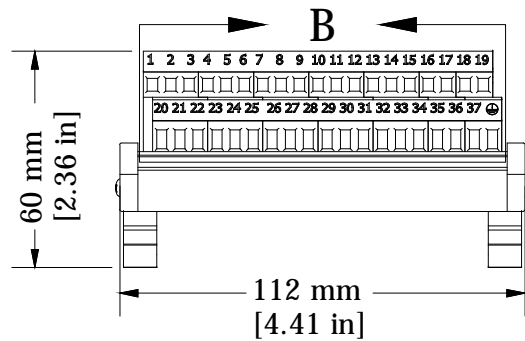
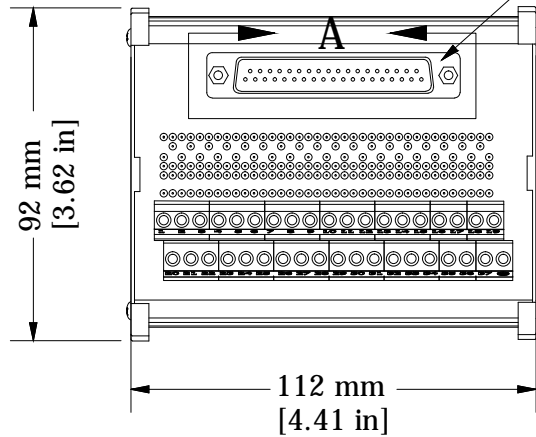
REVISIONS FOR DWG # 71-SubD 37M

REV	CH.NO.	DESCRIPTION	DATE	REVISED BY
-	-	ORIGINAL DESIGN	01/18/13	ROLAND G

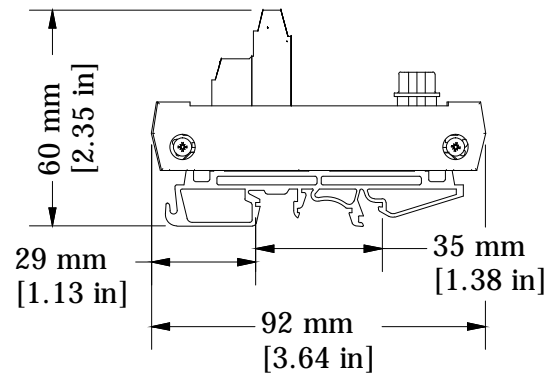
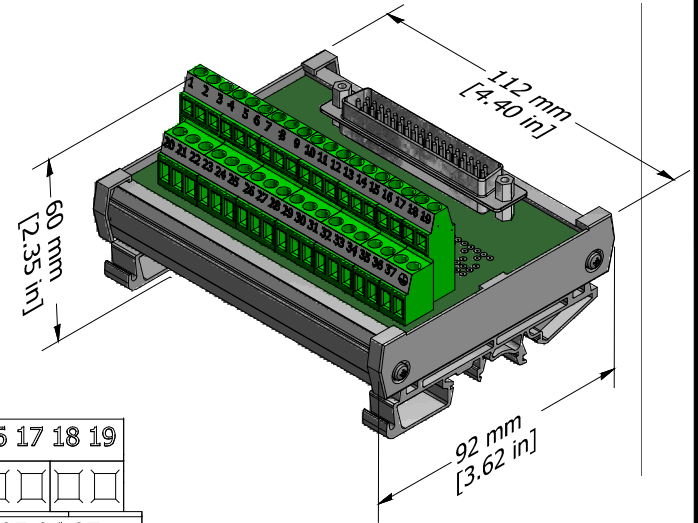
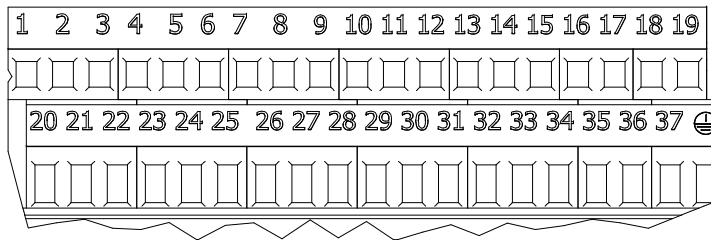
DETAIL A



SD 37 Pin MALE CONNECTOR



DETAIL B



UNLESS OTHERWISE SPECIFIED  
 • ALL DIMENSIONS ARE IN MILLIMETERS  
 • THIRD ANGLE PROJECTION

TOLERANCE	
XX	1.00 mm
XX.X	0.50 mm
XX.XX	0.20 mm
ALL	XX mm

O R I G I N A L

This Drawing is the property of  
**Altech Corp.**

35 Royal Road  
 Flemington NJ 08822-6000  
 (908) 806-9400 • Fax (908) 806-9490

AND IS A CONFIDENTIAL DISCLOSURE LENT WITHOUT CONSIDERATION OTHER THAN THE BORROWER'S AGREEMENT THAT IT SHALL NOT BE REPRODUCED, COPIED, LENT, OR DISPOSED OF DIRECTLY OR INDIRECTLY NOR USED FOR ANY PURPOSE OTHER THAN THAT FOR WHICH IT IS SPECIFICALLY FURNISHED.

TITLE: INTERFACE CONNECTOR TO WIRE MODULE  
 Sub-D; 37 Pin; MALE; PN:5743.2

DRAWN BY: ROLAND GYORGYAL	01/18/2013
CHECKED BY: LASZLO G	01/18/2013
RELEASED BY: LASZLO	01/18/2013

DRAWING NO.:	M-CAD-71-SubD37M	REV.:	-
SCALE:	-	SHEET:	1 OF: 1