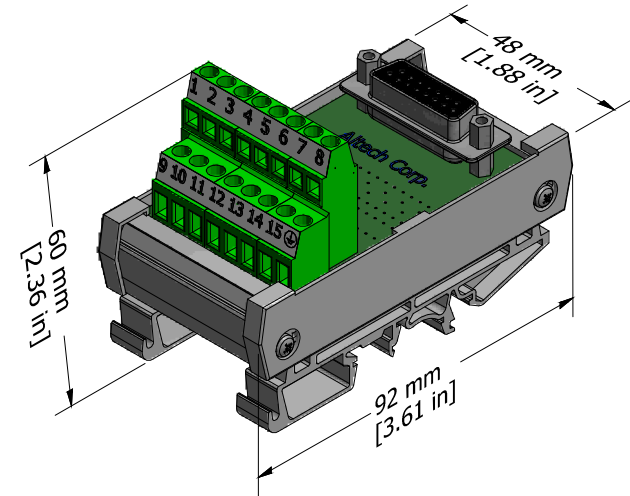
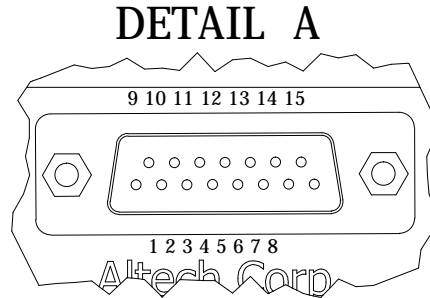
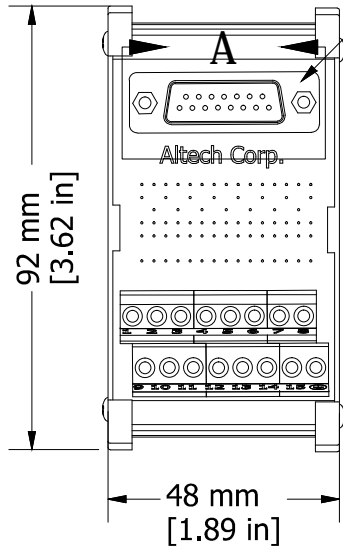


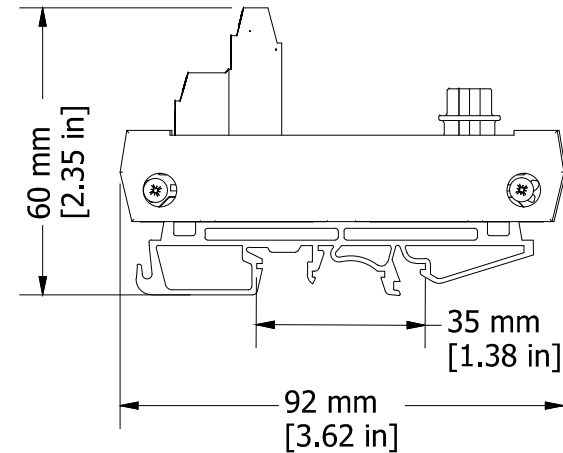
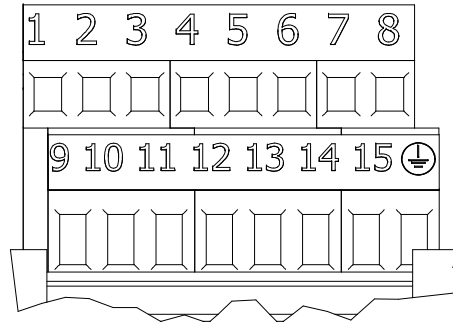
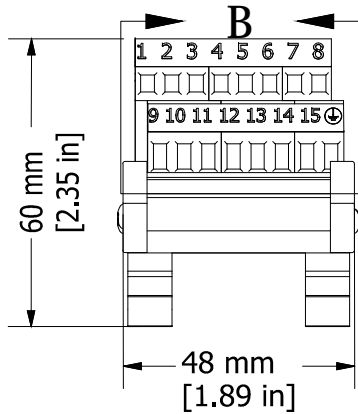
REVISIONS FOR DWG # 7I-SubD 15F

REV	CH.NO.	DESCRIPTION	DATE	REVISED BY
-	-	ORIGINAL DESIGN	01/18/13	ROLAND G

SD 15 Pin FEMALE CONNECTOR



DETAIL B



UNLESS OTHERWISE SPECIFIED

- ALL DIMENSIONS ARE IN MILLIMETERS
- THIRD ANGLE PROJECTION

• TOLERANCE

XX	mm	1.00
XX.X	mm	0.50
XX.XX	mm	0.20
ALL	mm	XX

CIRTEC

This Drawing is the property of

Altech Corp.

35 Royal Road
Flemington NJ 08822-6000
(908) 806-9400 • Fax (908) 806-9490

AND IS A CONFIDENTIAL DISCLOSURE LENT WITHOUT CONSIDERATION OTHER THAN THE BORROWER'S AGREEMENT THAT IT SHALL NOT BE REPRODUCED, COPIED, LENT, OR DISPOSED OF DIRECTLY OR INDIRECTLY NOR USED FOR ANY PURPOSE OTHER THAN THAT FOR WHICH IT IS SPECIFICALLY FURNISHED.

TITLE: INTERFACE CONNECTOR TO WIRE MODULE
Sub-D; 15 Pin; FEMALE; PN:5746.2

DRAWN BY: ROLAND GYORGYAL	01/18/2013
CHECKED BY: LASZLO G	01/18/2013
RELEASED BY: LASZLO G	01/18/2013

DRAWING NO.:	M-CAD-7I-SubD15F	REV.:	-
SCALE:	-	SHEET:	1 OF: 1