

**GFR Series - 3 Pole+N, B Trip, 300 mA**  
**480Y/277V AC Ground Fault Relay**  
**with Overload Protection (RCBO)**

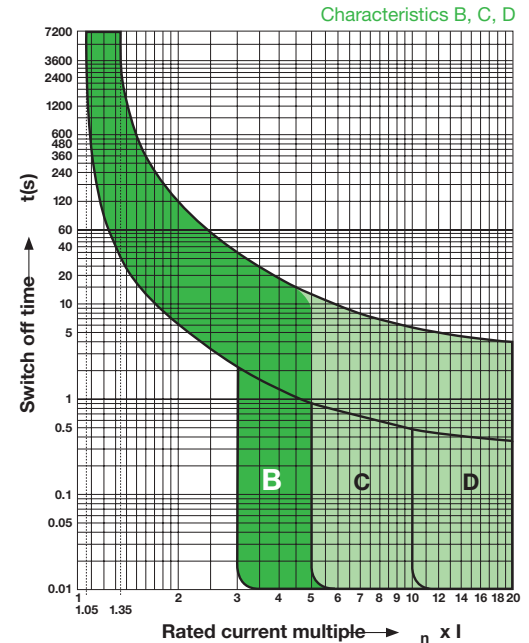
The GFR Series is a combined Equipment Ground Fault Relay and Supplementary Protector (RCBO), featuring dual pole switching (live and neutral) and designed to provide protection against overloads and AC ground faults (residual current faults) as well as pulsating DC ground faults.



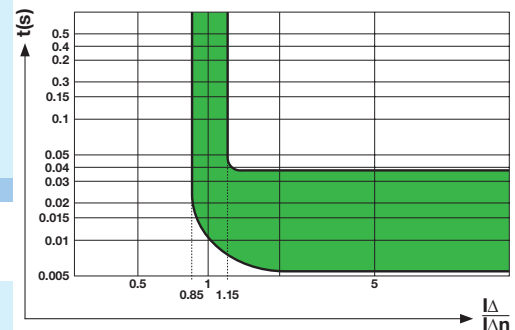
**Ordering Information**

Rated Current	Type/ Cat. No.	Rated Voltage
5.0A	GFR4B05300	480Y/277V AC
6.0A	GFR4B06300	480Y/277V AC
8.0A	GFR4B08300	480Y/277V AC
10A	GFR4B10300	480Y/277V AC
12A	GFR4B12300	480Y/277V AC
13A	GFR4B13300	480Y/277V AC
15A	GFR4B15300	480Y/277V AC
16A	GFR4B16300	480Y/277V AC
20A	GFR4B20300	480Y/277V AC
25A	GFR4B25300	480Y/277V AC
30A	GFR4B30300	480Y/277V AC
32A	GFR4B32300	480Y/277V AC
35A	GFR4B35300	480Y/277V AC
40A	GFR4B40300	480Y/277V AC

**GFR Series RCBO**  
**Overload Trip Curves**



**GFR Series RCBO**  
**Ground Fault Trip Curve**

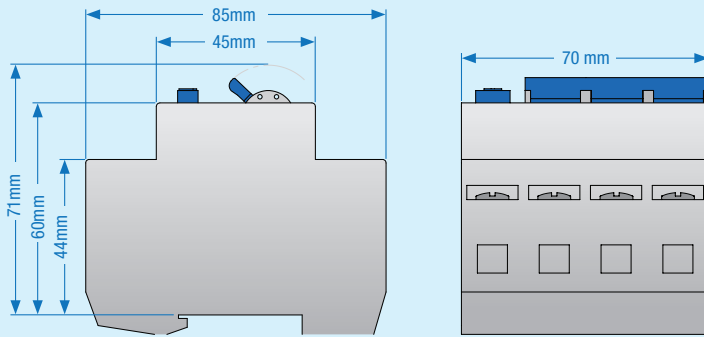


**UL 1077**  
Ground Fault Relay  
with Overload Protection

**Technical Specification**

Number of Poles	3+N
Voltage Rating (maximum)	480Y/277V AC
Ground Fault Sensitivity Level	300 mA
Short Circuit Withstand Rating	10 kA
Rated Frequency	50/60Hz
Trip Characteristic	B
Cable Size & Tightening Torque	Stranded Wire: 16 - 3 AWG (1.5 mm <sup>2</sup> - 25 mm <sup>2</sup> ) @ 17.5 lb-in (2.0 Nm) Solid Wire: 16 - 10 AWG (1.5 mm <sup>2</sup> - 5.5 mm <sup>2</sup> ) @ 17.5 lb-in (2.0 Nm) 18 - 16 AWG (1 mm <sup>2</sup> - 1.5 mm <sup>2</sup> ) @ 25 lb-in (2.8 Nm)
Electrical Life	6000 Switching Operations
Mechanical Life	10000 Switching Operations

**Dimensions**  
 (to convert to inches multiply by 0.03937)

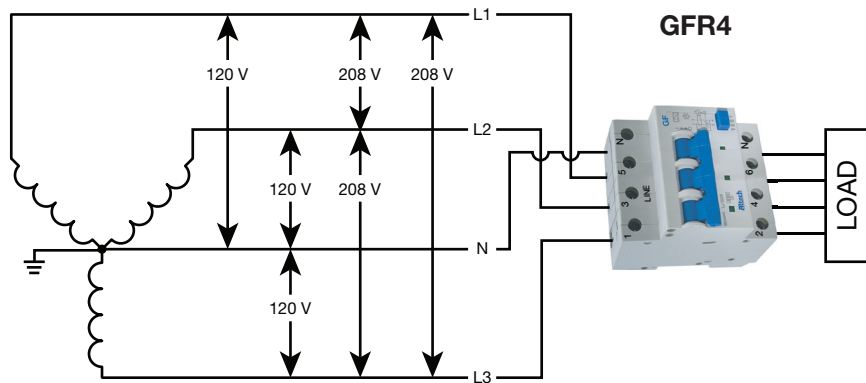
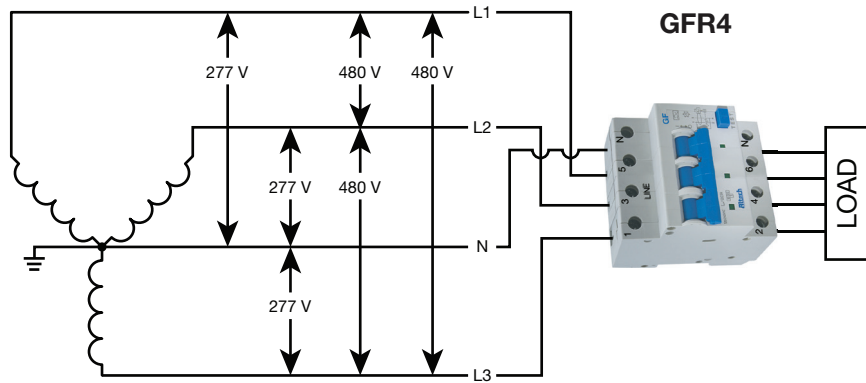


**Weight** 217 g

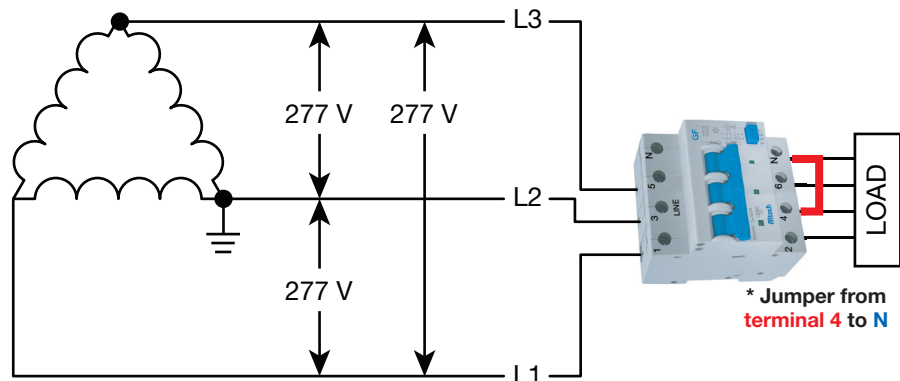
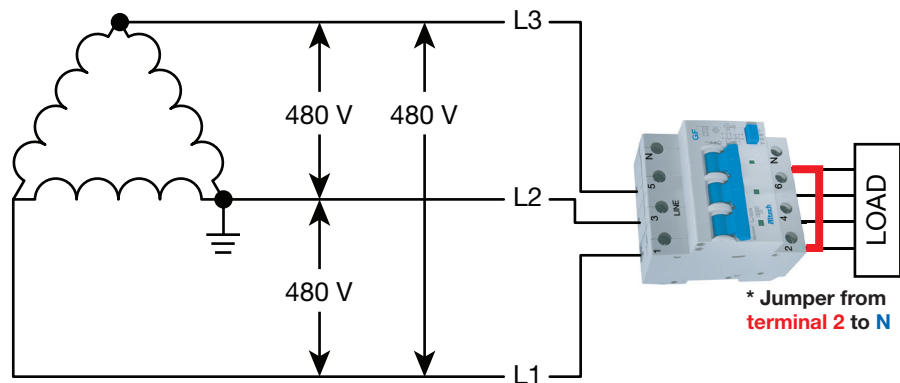
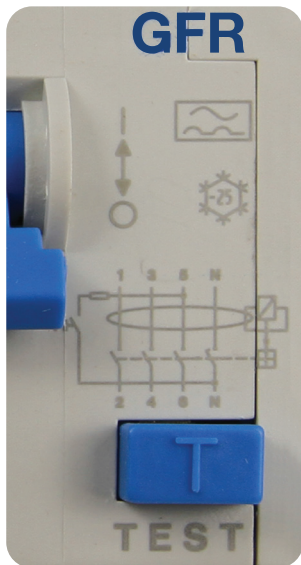
**GFR Series RCBO Short Circuit Withstand Rating**

V	I	IR	Backup
3+N Pole	≤20A	10kA	None
480Y/277V AC	>20A	10kA	Class J Fuse 250A or lower Altech L Series Branch Circuit Breaker Altech R Series Supplementary Protector

GFR Series - 3 Pole+N, B Trip, 300 mA  
 Applicable voltage systems and wiring examples.



UL 1077  
 Ground Fault Relay  
 with Overload Protection



\* Either jumper connection can be used for both voltage configurations.