

# GFL Series - 1 Pole+N, C Trip, 300 mA 10kA UL489 Listed Branch Circuit Breaker with Equipment Ground Fault Protection (RCBO)



The GFL Series range is a combined Branch Circuit Breaker and Equipment Ground Fault Protector, featuring dual pole switching (live and neutral disconnect) and designed to provide protection against short circuits, overloads, AC ground faults (residual current faults) as well as pulsating DC ground faults.

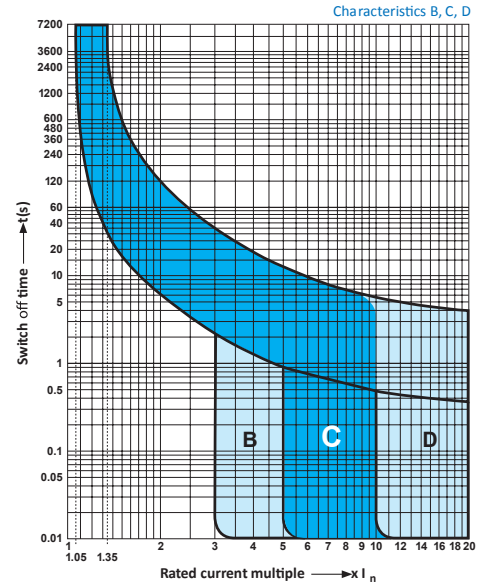


## Ordering Information

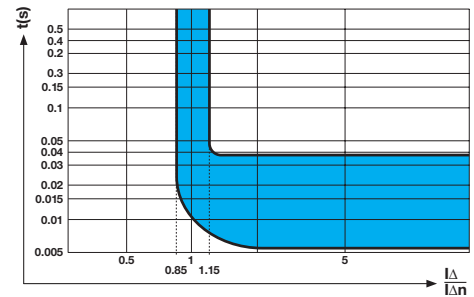
Rated Current	Type/ Cat. No.	Rated Voltage
5.0A	GFL2C053002	240V AC
6.0A	GFL2C063002	240V AC
8.0A	GFL2C083002	240V AC
10A	GFL2C103002	240V AC
12A	GFL2C123002	240V AC
13A	GFL2C133002	240V AC
15A	GFL2C153002	240V AC
16A	GFL2C163002	240V AC
20A	GFL2C203002	240V AC
25A	GFL2C253002	240V AC

UL 489  
Branch Circuit Breaker  
with Ground Fault Relay

## GFL Series RCBO Overload Trip Curves



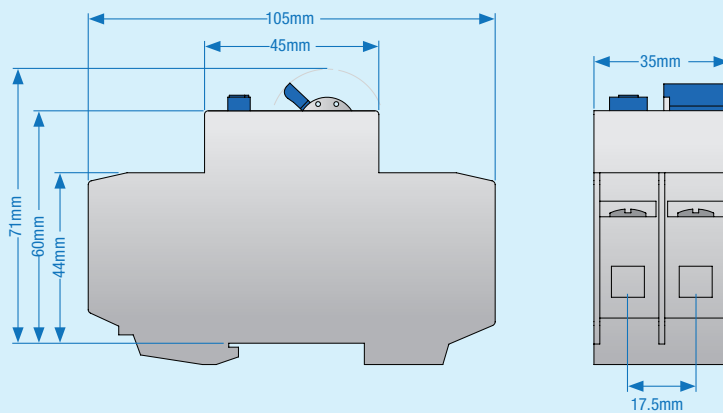
## GFL Series RCBO Ground Fault Trip Curve



## Technical Specification

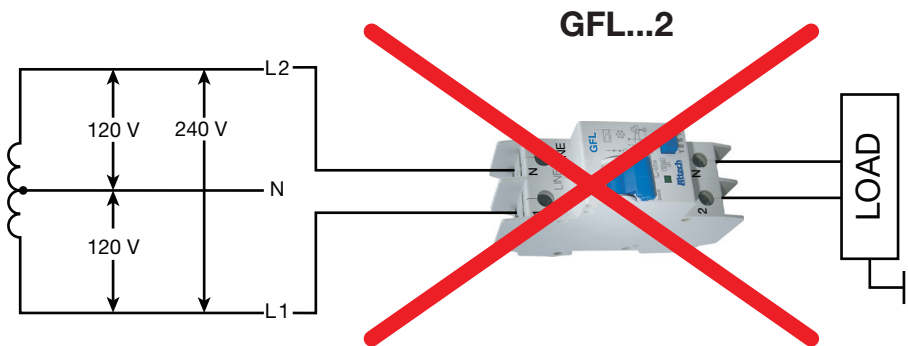
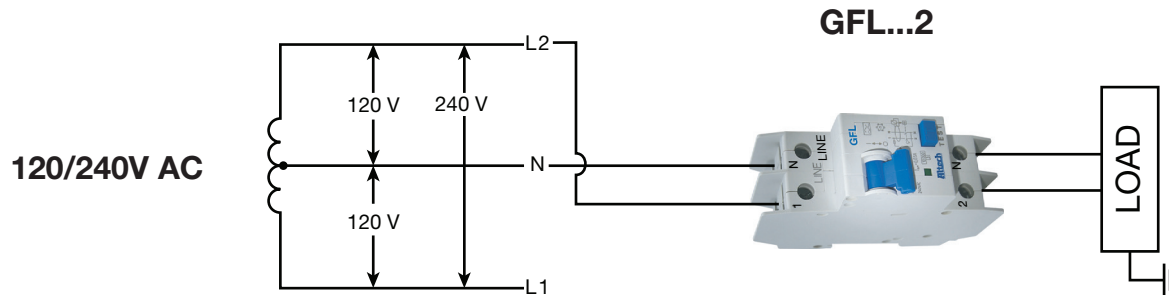
Number of Poles	1+N
Voltage Rating (maximum)	240V AC
Ground Fault Sensitivity Level	300 mA
Rated Short Circuit Interrupt Capacity	10 kA
Rated Frequency	50/60Hz
Trip Characteristic	C
Cable Size & Tightening Torque	Stranded Wire: 16 - 3 AWG (1.5 mm <sup>2</sup> - 25 mm <sup>2</sup> ) @ 17.5 lb-in (2.0 Nm) Solid Wire: 16 - 10 AWG (1.5 mm <sup>2</sup> - 5.5 mm <sup>2</sup> ) @ 17.5 lb-in (2.0 Nm) 18 - 16 AWG (1 mm <sup>2</sup> - 1.5 mm <sup>2</sup> ) @ 25 lb-in (2.8 Nm)
Electrical Life	6000 Switching Operations
Mechanical Life	10000 Switching Operations

Dimensions  
(to convert to inches multiply by 0.03937)



Weight 220 g

GFL Series - 1 Pole+N, C Trip, 300 mA  
 Applicable voltage systems and wiring examples.



**NOTE:**  
 Wiring a hot leg/phase to  
 N terminal is not permitted.

**UL 489**  
 Branch Circuit Breaker  
 with Ground Fault Relay