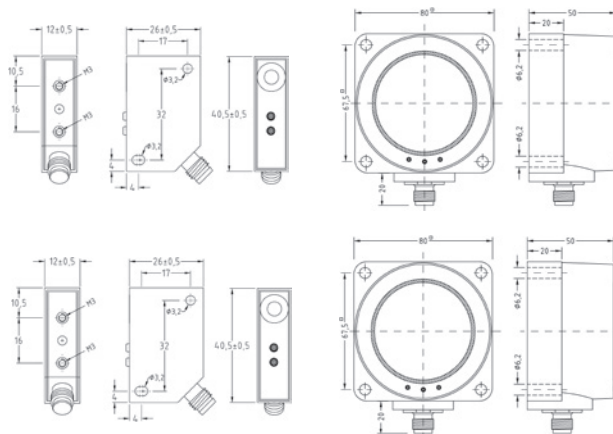


Ultrasonic Sensors (Type 40.5 x 26 x 12 mm, 80 x 80 x 50 mm)

Type	40.5 x 26 x 12 mm		80 x 80 x 50 mm	
Detection range	25–250 mm	25–250 mm	600–6000 mm	600–6000 mm
Output	1 x NO/NC	Analogue	2 x NO/NC	Analogue
Type of connection	Connector M8	Connector M8	Connector M12	Connector M12
Special feature				



PNP	DC	NO/NC Type	6713111001 UT25I-DPE0-0250-V30		6712112001 UT80I-DPE0-06.0-S30		
NPN	DC	NO/NC Type	6713211001 UT25I-DNE0-0250-V30		6712212001 UT80I-DNE0-06.0-S30		
Analogue	DC	0–10 V Type 4–20 mA Type		6713411001 UT25I-D00U-0250-V30		6712412001 UT80I-D00U-06.0-S30 6712312001 UT80I-D00I-06.0-S30	

Technical data

Rated operating voltage	U_B	10–30 VDC	12–30 VDC	12–30 VDC	15–30 VDC
Rated operating current	I_B	100 mA	–	500 mA	–
Switching frequency (max)	F	20 Hz	–	1 Hz	–
Resolution		–	0.125 mm	–	1.5 mm
Linearity error		–	< 0.3 %	–	< 0.5 %
Response times		–	40 ms	–	700 ms
Repeatability		$\pm 0.2\% \pm 0.2\text{ mm}$	$\pm 0.2\% \pm 0.2\text{ mm}$	$\pm 0.2\% \pm 2\text{ mm}$	$\pm 0.2\% \pm 2\text{ mm}$
Sound beam		8°	8°	8°	8°
Short circuit-protection		Cyclic	Cyclic	Cyclic	Cyclic
Function/operating voltage indicator		LED/LED	LED/LED	LED/LED	LED/LED

Mechanical data

Ambient temperature (min/max)		–10°C/+70°C	–10°C/+70°C	–15°C/+70°C	–15°C/+70°C
Protection class in accordance with IEC 529, EN 60529		IP67	IP67	IP65	IP65
Enclosure material		PBT/GF30	PBT/GF30	PBT/GF30	PBT/GF30
Connection		M8 x 1	M8 x 1	M12 x 1	M12 x 1

Please refer to Accessories for cable couplers and sensor tester.

