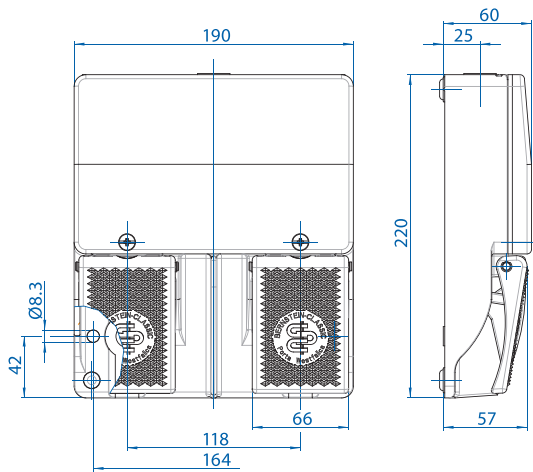


Double Pedal without Cover

STANDARD



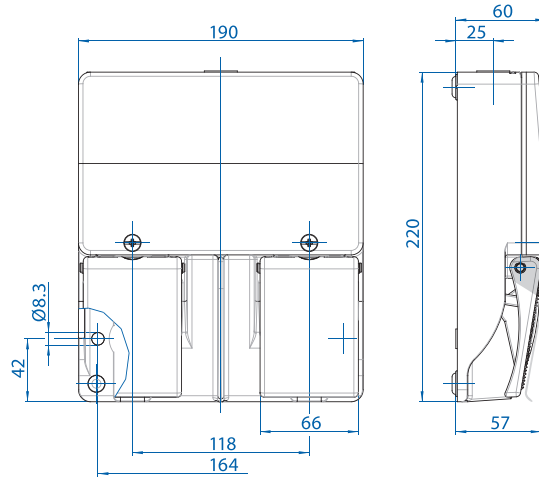
Standard OFF-ON Operation-
Push pedal to change contact state. Release pedal to return to original state.



STANDARD with Protective Hinged Cover



Standard OFF-ON Operation-
Lift protective hinged cover up to activate pedal.
Push pedal down to change contact state. Release pedal to return to original state. With IP67 Protection Rating (Temporary Submersion).



Two pedal foot switch F2

Article number	Designation	Switching contacts	
Snap-action contact:			
		Pedal 1 (left)	Pedal 2 (right)
606.2330.021	F2-SU1Z/SU1Z	1NC / 1NO	1NC / 1NO
606.2440.065	F2-SU2Z/SU2Z	2NC / 2NO	2NC / 2NO
Slow-action contact:			
		Pedal 1 (left)	Pedal 2 (right)
606.2110.013	F2-U1Z/U1Z	1NC / 1NO	1NC / 1NO
606.2220.015	F2-U2Z/U2Z	2NC / 2NO	2NC / 2NO

Two pedal foot switch F2

Article number	Designation	Switching contacts	
		Pedal 1 (left)	Pedal 2 (right)
606.2440.573	F2-SU2ZPS/SU2ZPS	2NC / 2NO	2NC / 2NO