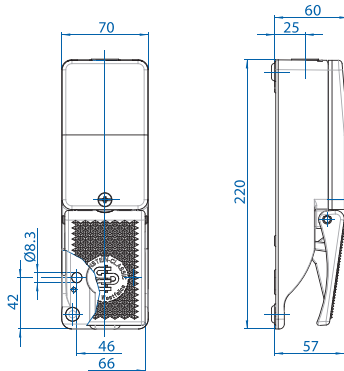


Single Pedal Without Cover

STANDARD



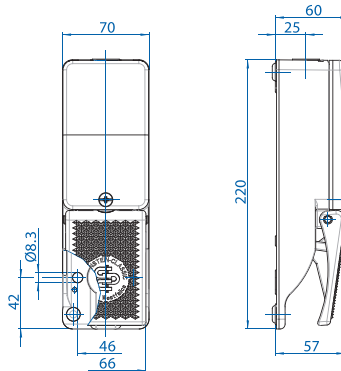
Standard OFF-ON Operation - Push pedal to change contact state. Release pedal to return to original state.



STANDARD with IP67 & IP68 PROTECTION



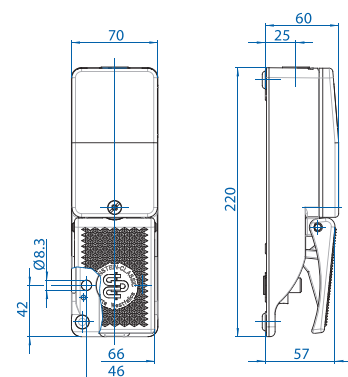
Standard OFF-ON Operation - Push pedal to change contact state. Release pedal to return to original state. With IP67 & IP68 Protection Rating (Temporary Submersion).



TWO STAGE OPERATION



Two Stage Operation- Press Pedal to change the state of the first set of contacts. Continue to press further to change the second set of contacts.



Single pedal foot switch F1			
Article number	Designation	Switching contacts	
Snap-action contact:			
			Pedal 1
606.1300.011	F1-SU1Z	1NC / 1NO	
606.1400.061	F1-SU2Z	2NC / 2NO	
Slow-action contact:			
			Pedal 1
616.1100.005	F1-U1Z	1NC / 1NO	
606.1200.003	F1-U2Z	2NC / 2NO	

Single pedal foot switch F1			
Article number	Cable Entry	Designation	Switching contacts
Slow-action contact (IP 67):			
			Pedal 1
616.1100.469	1 x M20	F1-U1Z	1NC / 1NO
616.1100.469	3 x M20	F1-U1Z	1NC / 1NO
Slow-action contact (IP 68):			
			Pedal 1
616.1100.251	1 x M20	F1-U1Z	1NC / 1NO

Single pedal foot switch F1			
Article number	Designation	Switching contacts	Pressure point
Slow-action contact:			
			Pedal 1
606.1200.007	F1-U2ZD	2NC / 2NO	200 N