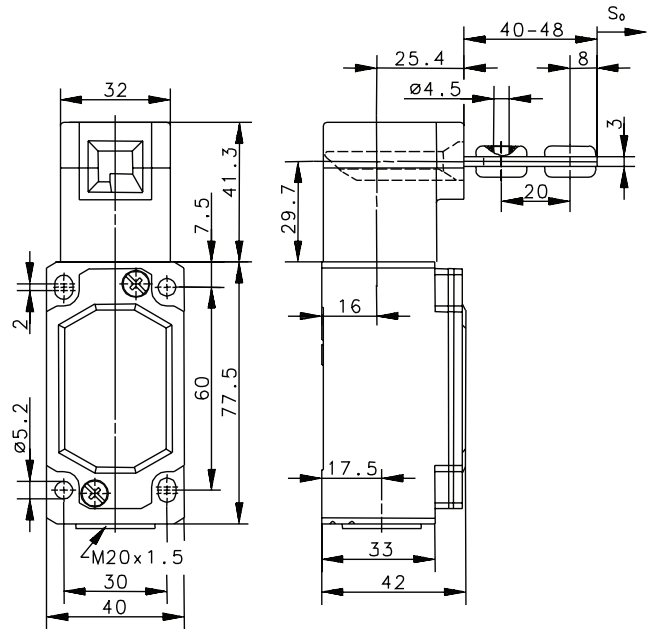


ENM Series - Metal Body & Head Industrial Format



These keyed operated safety interlock switches from the ENM series correspond to Type 2.

This means that you can use Type 1 and Type 2 position switches corresponding from one series of switches for your all applications.

This results in many advantages:

● **Standardization:**

Switches of one family have the same mounting dimensions and the same electrical properties.

● **Reduced costs:**

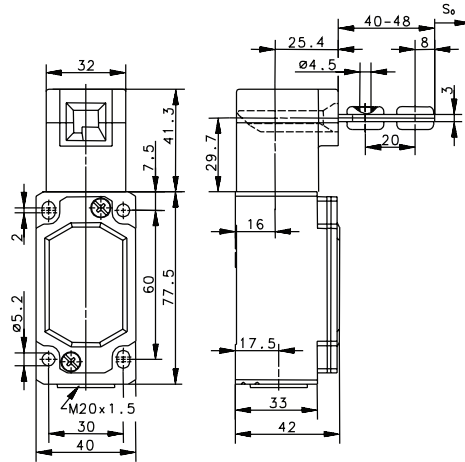
The ENK series are used in large quantities. This not only reflects the quality of the products but also means lower prices compared to special designs used in small quantities.

Technical data		
Electrical data		
Rated operating voltage	U_e	240 V AC
Conventional thermal current (up to) ¹	I_{the}	10 A
Rated insulation voltage	U_i	400 V AC
Utilization category (up to) ¹		AC-15, U_e/I_e 240 V / 3 A
Forced disconnection	p	conforming to IEC/EN 60947-5-1, Addendum K
Short-circuit protection (up to) ¹		Fuse 10 A gL/gG
Protection class		
Mechanical data		
Enclosure		Aluminum pressure die-casting
Cover		Sheet aluminum
Actuation		Separate actuator, (St / PA)
Ambient temperature		-30°C to +80°C
Mechanical service life		⁶ switching cycles
B10d		
Switching frequency		≤ 50/min.
Mounting		4 x M5
Type of connection		Screw connections
Conductor cross sections		Single-wire 0.5 - 1.5 mm ² or Stranded wire with ferrule 0.5 - 1.5 mm
Cable entry		1 x M20 x 1.5
Weight		≈ 0.33 kg
Installation position		
Protection class		IP65 conforming to EN 60529
Standards		
VDE 0660 T100, DIN EN 60947-1, IEC 60947-1		
VDE 0660 T200, DIN EN 60947-5-1, IEC 60947-5-1		

¹ Depending on switching system

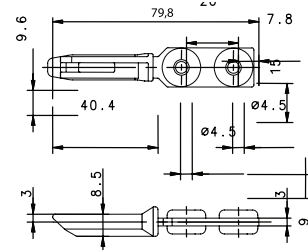
ENM2 Series

ENM2 VTW



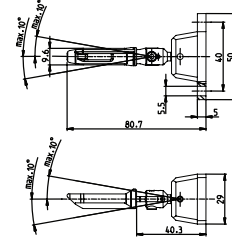
Replacement actuator keys:

A1 ACTUATOR KEY
391.1702.228



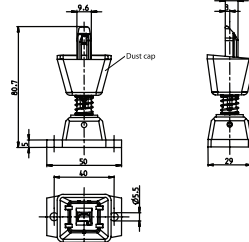
15.7" Minimum Bend Radius

A2 ACTUATOR KEY
391.1702.229



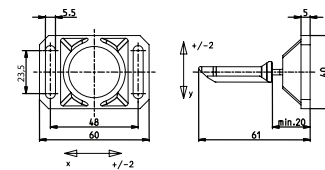
5.9" Minimum Bend Radius

A3 ACTUATOR KEY
391.1702.230



15.7" Minimum Bend Radius

A4 ACTUATOR KEY
391.1702.231



13.8" Minimum Bend Radius

Switching Operation	Slow Action	High Activation Force	Radius Activation
1 NC / 1 NO Contacts	601.6219.100 ENM2-U1Z VTW 	-	-
1 NC Contacts	-	-	-
2 NC Contacts	601.6269.105 ENM2-A2Z VTW 	-	-
2 NC / 1 NO Contacts Overlapping	601.6269.104 ENM2-UV15Z VTW 	-	-

Technical Information

	Slow Action	High Activation Force	Radius Activation
Maximum Switching Voltage	240V		
Max. Switching Amps (up to)*	10A		
B10d (up to)*	20 Million		
Mechanical Service Life (up to)*	10 x 10 ⁶		
Switching Frequency	≤ 30/min		
Operating Temperature	-30 °C to +80 °C		
Protection Rating	IP65		
Utilization Category (up to)*	AC-15, Ue/Ue 240V 3A		
Rate Insulation Voltage	400VAC		

Approvals

* Depending on switching system - see technical information for details

