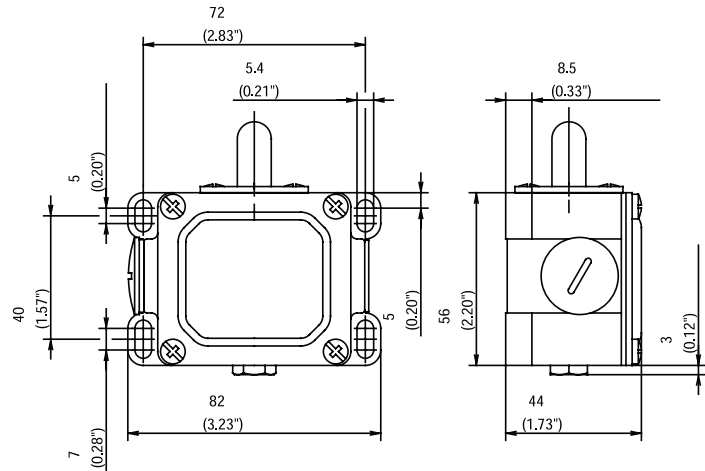


D Series



Recommended use

Heavy duty switch body for designed for harsh operating conditions with very sturdy actuators and switching systems.

Product advantages

- Protection class IP65 to VDE 0470 T1
- Enclosure: Aluminum pressure die-casting
- Cover: Sheet aluminum
- Actuator can be repositioned by 4 x 90° (depending on type)
- Cable entries 2 x M20 x 1.5
- Connection designation conforming to DIN EN 50013
- Sturdy contacts
- Hard wearing guide bushes

Options

- AS interface versions on request
- Preassembled with customer-specific cables and connectors on request

Design layout

- Slow-action and snap-action contacts
- Versions: 1 NC / 1NO, 2 NC, 2 NO, 3 NC, 3 NO, overlapping contacts
- All NC contacts with \ominus in the circuit diagram are positively opening contacts
- Latching function on request

Mounting

- 4 slots for M5 screws

Installation advantages

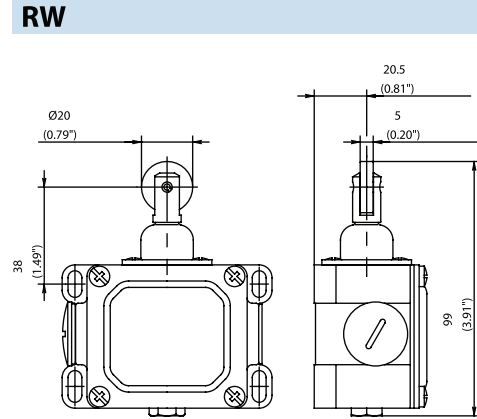
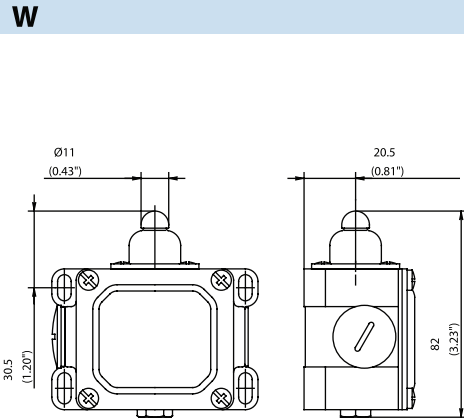
- 2 cable entries for through-wiring
- Large internal connection space
- Captive cover screws

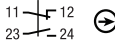
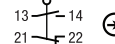
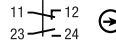
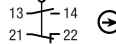
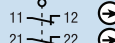
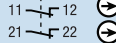
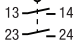
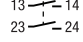
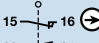
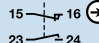
Technical data

Electrical data	
Rated insulation voltage	U _i max. 400 V AC
Conventional thermal current (up to) ¹	I _{th} 10 A
Rated operating voltage	U _e max. 240 V
Utilization category	AC-15, U _e /I _e 240 V/3 A
Short-circuit protection (up to) ¹	Fuse 10 A gL/gG
Protection class	I
Mechanical data	
Enclosure material	Aluminum pressure die-casting
Ambient temperature	-30 °C to +80 °C
Mechanical service life	10 x 10 ⁶ switching cycles
B10d	20 Mill.
Switching frequency	≤ 100/min.
Type of connection	Screw connections
Conductor cross sections	Single-wire 0.5 - 1.5 mm ² or Stranded wire with ferrule 0.5 - 1.5 mm ²
Cable entry	2 x M20 x 1.5
Protection class	IP65 conforming to IEC/EN 60529
Standards	
VDE 0660 T100, DIN EN 60947-1, IEC 60947-1	
VDE 0660 T200, DIN EN 60947-5-1, IEC 60947-5-1	

¹ Depending on switching system. See Table in the Technical Section

D Series



Switching Operation	Slow Action	Snap Action	Slow Action	Snap Action
1 NC / 1 NO Contacts	604.1103.002 D-U1 W 	604.1153.156 D-SU1 W 	604.1118.229 D-U1Z RW 	604.1168.162 D-SU1 RW 
2 NC Contacts	604.1803.090 D-A2 W 	-	604.1818.741 D-A2Z RW 	-
2 NO Contacts	604.1803.046 D-E2 W 	-	604.1818.052 D-E2 RW 	-
1 NC / 1 NO Contacts Overlapping	604.1303.134 D-UV1Z W 	-	604.1318.140 D-UV1Z RW 	-

Replacement actuator:

Technical Information

	Slow Action	Snap Action	Slow Action	Snap Action
Maximum Switching Voltage	240V	240V	240V	240V
Max. Switching Amps (up to)*	10A	10A	10A	10A
B10d (up to)*	20 Million	20 Million	20 Million	20 Million
Mechanical Service Life (up to)*	10 x 10 ⁶	10 x 10 ⁶	10 x 10 ⁶	10 x 10 ⁶
Switching Frequency	≤ 100/min	≤ 100/min	≤ 100/min	≤ 100/min
Operating Temperature	-30 °C to +80 °C	-30 °C to +80 °C	-30 °C to +80 °C	-30 °C to +80 °C
Protection Rating	IP65	IP65	IP65	IP65
Utilization Category (up to)*	AC-15, Ue/Ue 240V 3A	AC-15, Ue/Ue 240V 3A	AC-15, Ue/Ue 240V 3A	AC-15, Ue/Ue 240V 3A
Rate Insulation Voltage	400VAC	400VAC	400VAC	400VAC

Approvals

* Depending on switching system - see technical information for details



Special features/variants (on request)

- Also available with following contacts:
3 NC contacts (larger enclosure)
3 NO contacts (larger enclosure)
2 NC / 2 NO contact (larger enclosure)

Special features/variants (on request)

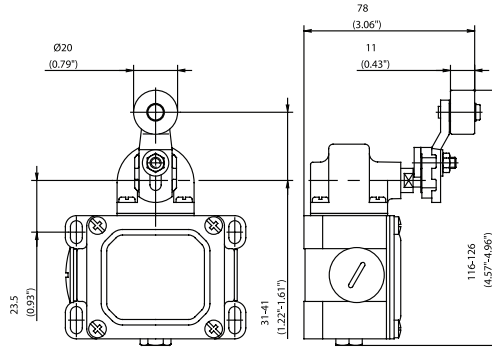
- Also available with following contacts:
3 NC contacts (larger enclosure)
3 NO contacts (larger enclosure)
2 NC / 2 NO contact (larger enclosure)

Drawing dimensions in mm

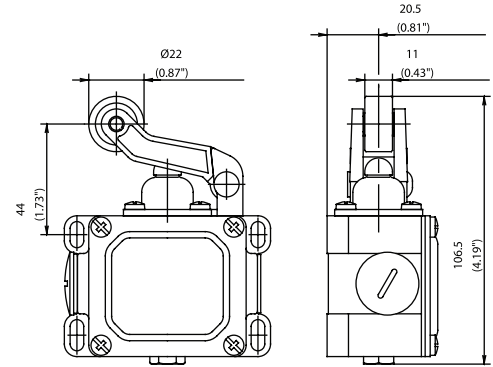
D Series



AH



HW



Switching Operation	Slow Action	Snap Action	Slow Action	Snap Action
1 NC / 1 NO Contacts	604.1135.019 D-U1 AH 	604.1185.173 D-SU1 AH 	604.1121.010 D-U1 HW 	604.1171.164 D-SU1 HW
2 NC Contacts	604.1835.107 D-A2 AH 	-	-	-
2 NO Contacts	614.1835.709 D-E2 AH 	-	-	-
1 NC / 1 NO Contacts Overlapping	-	-	604.1321.142 D-UV1Z HW 	-
Replacement actuator:	391.4350.924		391.4211.065	

Technical Information	Slow Action	Snap Action	Slow Action	Snap Action
Maximum Switching Voltage	240V	240V	240V	240V
Max. Switching Amps (up to)*	10A	10A	10A	10A
B10d (up to)*	20 Million	20 Million	20 Million	20 Million
Mechanical Service Life (up to)*	3 x 10 ⁶	10 x 10 ⁶	10 x 10 ⁶	10 x 10 ⁶
Switching Frequency	≤ 100/min	≤ 100/min	≤ 100/min	≤ 100/min
Operating Temperature	-30 °C to +80 °C	-30 °C to +80 °C	-30 °C to +80 °C	-30 °C to +80 °C
Protection Rating	IP65	IP65	IP65	IP65
Utilization Category (up to)*	AC-15, Ue/Ue 240V 3A	AC-15, Ue/Ue 240V 3A	AC-15, Ue/Ue 240V 3A	AC-15, Ue/Ue 240V 3A
Rate Insulation Voltage	400VAC	400VAC	400VAC	400VAC

Approvals * Depending on switching system - see technical information for details



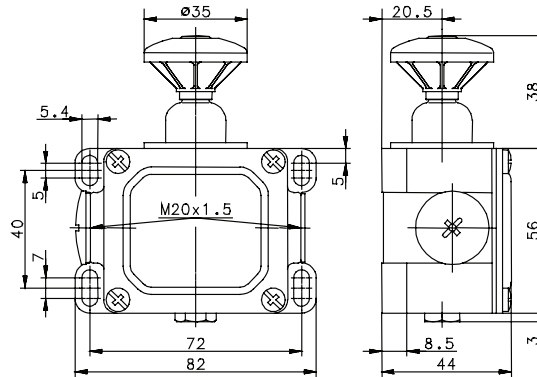
Special features/variants (on request)

- Available steel and different diameter rollers, different lever lengths and additional contacts:
 - 3 NC overlapping contact (larger enclosure)
 - 2 NC / 2 NO contact (larger enclosure)
- Available steel with higher temperature range, and additional contacts:
 - 3 NC overlapping contact (larger enclosure)
 - 2 NC / 2 NO contact (larger enclosure)

Drawing dimensions in mm

D Series

PW



Switching Operation	Slow Action	Snap Action
1 NC / 1 NO Contacts	604.1113.006 D-U1 PW 	- -
2 NC Contacts	604.1813.835 D-A2Z PW 	- -
2 NO Contacts	604.1813.050 D-E2 PW 	- -
1 NC / 1 NO Contacts Overlapping	- -	- -

Replacement actuator:

Technical Information

	Slow Action	Snap Action
Maximum Switching Voltage	240V	240V
Max. Switching Amps (up to)*	10A	10A
B10d (up to)*	20 Million	20 Million
Mechanical Service Life (up to)*	10 x 10 ⁶	10 x 10 ⁶
Switching Frequency	≤ 100/min	≤ 100/min
Operating Temperature	-30 °C to +80 °C	-30 °C to +80 °C
Protection Rating	IP65	IP65
Utilization Category (up to)*	AC-15, Ue/Ue 240V 3A	AC-15, Ue/Ue 240V 3A
Rate Insulation Voltage	400VAC	400VAC

Approvals

* Depending on switching system - see technical information for details



Special features/variants (on request)

- Also available with following contacts:
3 NC contacts (larger enclosure)
3 NO contacts (larger enclosure)
2 NC / 2 NO contact (larger enclosure)

Drawing dimensions in mm