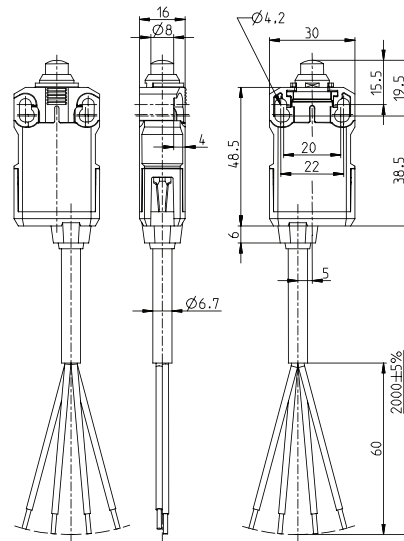


IF Series



Recommended use

Ideal for installation in confined areas where a high protection rating is required. With 6 1/2 foot molded cable, this series is rated to IP67. Suitable for position monitoring and safety applications, the slim design allows these switches to be installed in a wide range of applications.

Product advantages

- Slim line design
- With 6 1/2' (2 Meter) cable or AMP4 connector
- High quality plastic enclosure
- Metal actuator and mounting clip
- Small hysteresis in snap action system
- Actuator can be repositioned by 4 x 90°
- Compact IP67 switch for safety applications
- Two-channel safety monitoring possible
- Other cable lengths available on request

Options

- Various cable lengths available on request
- Can be preassembled with customized connectors on request

Design layout

- Slow-action and snap-action contacts
- Versions: 1 NC/1NO, 2 NC, 2 NO
- All NC contacts with \ominus in the circuit diagram are positively opening contacts
- Type: Zb (galvanically isolated changeover contact)

Mounting

- Two M4 screws for adjustment with slots
- Two M5 screws for safety applications; front mounting depending on type

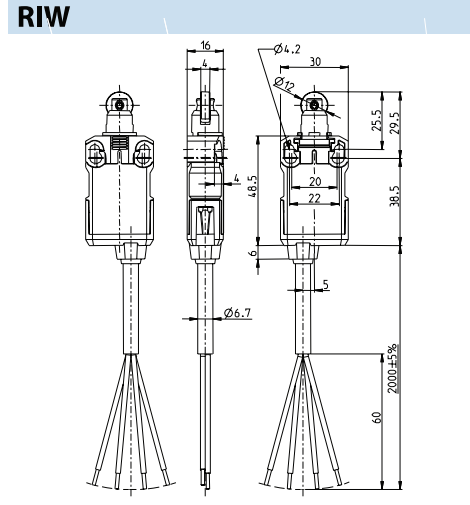
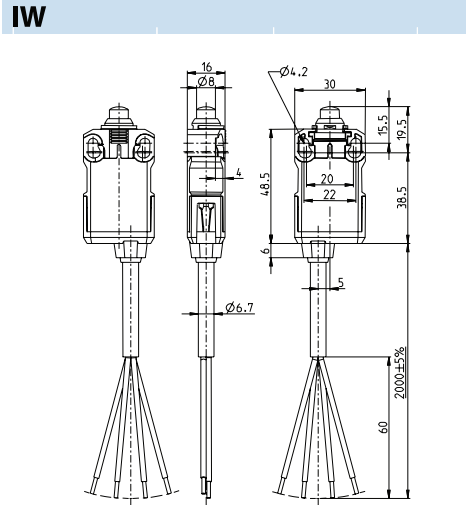


Technical data

Electrical data		
Rated insulation voltage	U_i max.	240 V AC
Conventional thermal current	I_{the}	10 A
Rated operating voltage	U_e max.	240 V
Utilization category	AC-15, U_e/I_e 240 V/3 A	
Short-circuit protection	Fuse 6 A gL/gG	
Protection class	II, Insulated	
Mechanical data		
Enclosure material	PA6 (glass fibre-reinforced)	
Ambient temperature	-25 °C to +70 °C (Connection cable installed)	
Mechanical service life	3 x 10 ⁶ switching cycles	
B10d	6 Mio.	
Switching frequency	≤ 30/min.	
Type of connection	Cable 4 x 0.75 mm ²	
Protection class	IP67 conforming to EN 60529; DIN VDE 0470 T1	
Standards		
VDE 0660 T100, DIN EN 60947-1, IEC 60947-1		
VDE 0660 T200, DIN EN 60947-5-1, IEC 60947-5-1		

Drawing dimensions in mm

IF Series



Switching Operation	Slow Action	Snap Action
1 NC / 1 NO Contacts	608.9102.001 IF-U1Z IW 	608.9152.006 IF-SU1Z IW
2 NC Contacts	608.9802.011 IF-A2Z IW 	-
2 NO Contacts	-	-
1 NC / 1 NO Contacts Overlapping	-	-

Switching Operation	Slow Action	Snap Action
1 NC / 1 NO Contacts	608.9117.002 IF-U1Z RIW 	608.9167.007 IF-SU1Z RIW
2 NC Contacts	608.9817.012 IF-A2Z RIW 	-
2 NO Contacts	-	-
1 NC / 1 NO Contacts Overlapping	-	-

Technical Information

	Slow Action	Snap Action
Maximum Switching Voltage	240V	240V
Maximum Switching Amperage	10A	10A
B10d	6 Million	6 Million
Mechanical Service Life	3 x 10 ⁶	3 x 10 ⁶
Switching Frequency	≤ 30/min	≤ 30/min
Operating Temperature	-30 °C to +80 °C	-30 °C to +80 °C
Protection Rating	IP67	IP67
Utilization Category	AC-15, Ue/Ue 240V 3A	AC-15, Ue/Ue 240V 3A
Rate Insulation Voltage	240VAC	240VAC

Approvals



Special features / variants

	Slow Action	Snap Action
Maximum Switching Voltage	240V	240V
Maximum Switching Amperage	10A	10A
B10d	6 Million	6 Million
Mechanical Service Life	3 x 10 ⁶	3 x 10 ⁶
Switching Frequency	≤ 30/min	≤ 300/min
Operating Temperature	-30 °C to +80 °C	-30 °C to +80 °C
Protection Rating	IP67	IP67
Utilization Category	AC-15, Ue/Ue 240V 3A	AC-15, Ue/Ue 240V 3A
Rate Insulation Voltage	240VAC	240VAC



Special features / variants

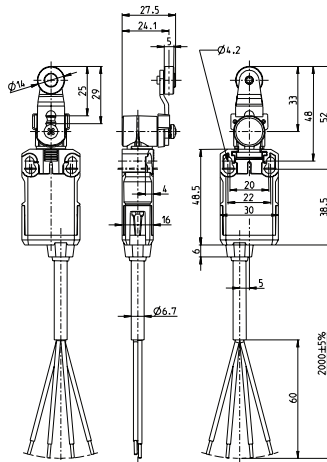
- Actuator can be turned in steps of 90°

Drawing dimensions in mm

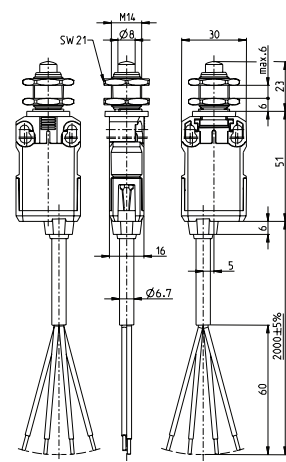
IF Series



AH



IWF



Switching Operation	Slow Action	Snap Action	Slow Action	Snap Action
1 NC / 1 NO Contacts	608.9135.003 IF-U1Z AH 	608.9185.008 IF-SU1Z AH 	608.9102.004 IF-U1Z IWF 	608.9152.009 IF-SU1Z IWF
2 NC Contacts	608.9835.013 IF-A2Z AH 	608.9885.041 IF-SA2Z AH 	608.9802.014 IF-A2Z IWF 	608.9852.043 IF-SA2Z IWF
2 NO Contacts	-	-	-	-
1 NC / 1 NO Contacts Overlapping	-	-	-	-

Technical Information

	Slow Action	Snap Action	Slow Action	Snap Action
Maximum Switching Voltage	240V	240V	240V	240V
Maximum Switching Amperage	10A	10A	10A	10A
B10d	6 Million	6 Million	6 Million	6 Million
Mechanical Service Life	3 x 10 ⁶	3 x 10 ⁶	3 x 10 ⁶	3 x 10 ⁶
Switching Frequency	≤ 30/min	≤ 30/min	≤ 30/min	≤ 30/min
Operating Temperature	-30 °C to +80 °C	-30 °C to +80 °C	-30 °C to +80 °C	-30 °C to +80 °C
Protection Rating	IP67	IP67	IP67	IP67
Utilization Category	AC-15, Ue/Ue 240V 3A	AC-15, Ue/Ue 240V 3A	AC-15, Ue/Ue 240V 3A	AC-15, Ue/Ue 240V 3A
Rate Insulation Voltage	240VAC	240VAC	240VAC	240VAC

Approvals



Special features/variants

- Actuator can be turned in steps of 90°

Special features/variants

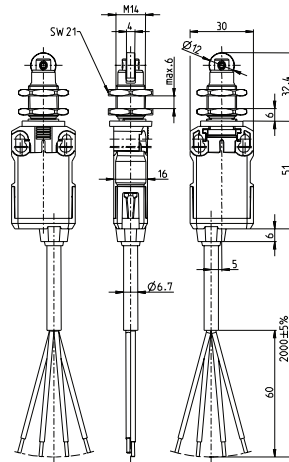
- Front mounting

Drawing dimensions in mm

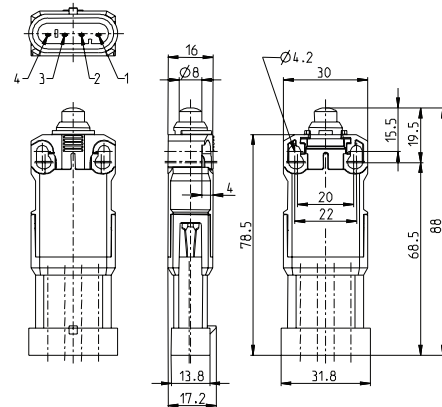
IF Series



RIWF



IW AMP4



Switching Operation	Slow Action	Snap Action	Slow Action	Snap Action
1 NC / 1 NO Contacts	608.9117.005 IF-U1Z RIWF 	608.9167.010 IF-SU1Z RIWF 	608.9102.016 IF-U1Z IW AMP4 	608.9152.021 IF-SU1Z IW AMP4
2 NC Contacts	608.9817.015 IF-A2Z RIWF 	-	608.9802.026 IF-A2Z IW AMP4 	-
2 NO Contacts	-	-	-	-
1 NC / 1NO Contacts Overlapping	-	-	-	-

Technical Information

	Slow Action	Snap Action	Slow Action	Snap Action
Maximum Switching Voltage	240V	240V	240V	240V
Maximum Switching Amperage	10A	10A	10A	10A
B10d	6 Million	6 Million	6 Million	6 Million
Mechanical Service Life	3 x 10 ⁶	3 x 10 ⁶	3 x 10 ⁶	3 x 10 ⁶
Switching Frequency	≤ 30/min	≤ 30/min	≤ 30/min	≤ 30/min
Operating Temperature	-30 °C to +80 °C	-30 °C to +80 °C	-30 °C to +80 °C	-30 °C to +80 °C
Protection Rating	IP67	IP67	IP67	IP67
Utilization Category	AC-15, Ue/Ue 240V 3A	AC-15, Ue/Ue 240V 3A	AC-15, Ue/Ue 240V 3A	AC-15, Ue/Ue 240V 3A
Rate Insulation Voltage	240VAC	240VAC	240VAC	240VAC

Approvals



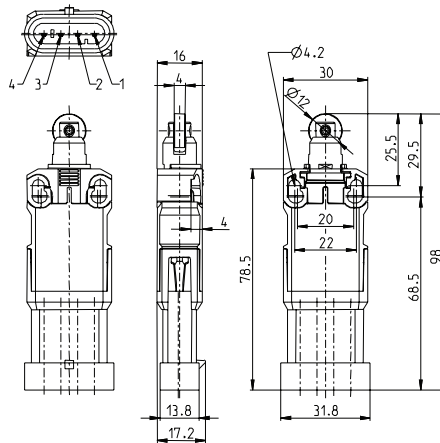
Special features/variants

- Front mounting
- Actuator can be turned in steps of 90°

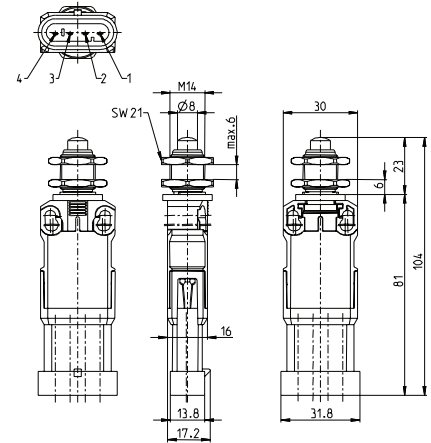
Drawing dimensions in mm

IF Series

RIW AMP4



IWF AMP4



Switching Operation	Slow Action	Snap Action	Slow Action	Snap Action
1 NC / 1 NO Contacts	608.9117.017 IF-U1Z RIW AMP4 	608.9167.022 IF-SU1Z RIW AMP4 	608.9102.019 IF-U1Z IWF AMP4 	608.9152.024 IF-SU1Z IWF AMP4
2 NC Contacts	608.9817.027 IF-A2Z RIW AMP4 	-	608.9802.029 IF-A2Z IWF AMP4 	-
2 NO Contacts	-	-	-	-
1 NC / 1 NO Contacts Overlapping	-	-	-	-

Technical Information

	Slow Action	Snap Action	Slow Action	Snap Action
Maximum Switching Voltage	240V	240V	240V	240V
Maximum Switching Amperage	10A	10A	10A	10A
B10d	6 Million	6 Million	6 Million	6 Million
Mechanical Service Life	3 x 10 ⁶	3 x 10 ⁶	3 x 10 ⁶	3 x 10 ⁶
Switching Frequency	≤ 30/min	≤ 30/min	≤ 30/min	≤ 30/min
Operating Temperature	-30 °C to +80 °C	-30 °C to +80 °C	-30 °C to +80 °C	-30 °C to +80 °C
Protection Rating	IP67	IP67	IP67	IP67
Utilization Category	AC-15, Ue/Ue 240V 3A	AC-15, Ue/Ue 240V 3A	AC-15, Ue/Ue 240V 3A	AC-15, Ue/Ue 240V 3A
Rate Insulation Voltage	240VAC	240VAC	240VAC	240VAC

Approvals



Special features/variants

- Actuator can be turned in steps of 90°

Special features/variants

- Front mounting
- With roller over switch

Drawing dimensions in mm

