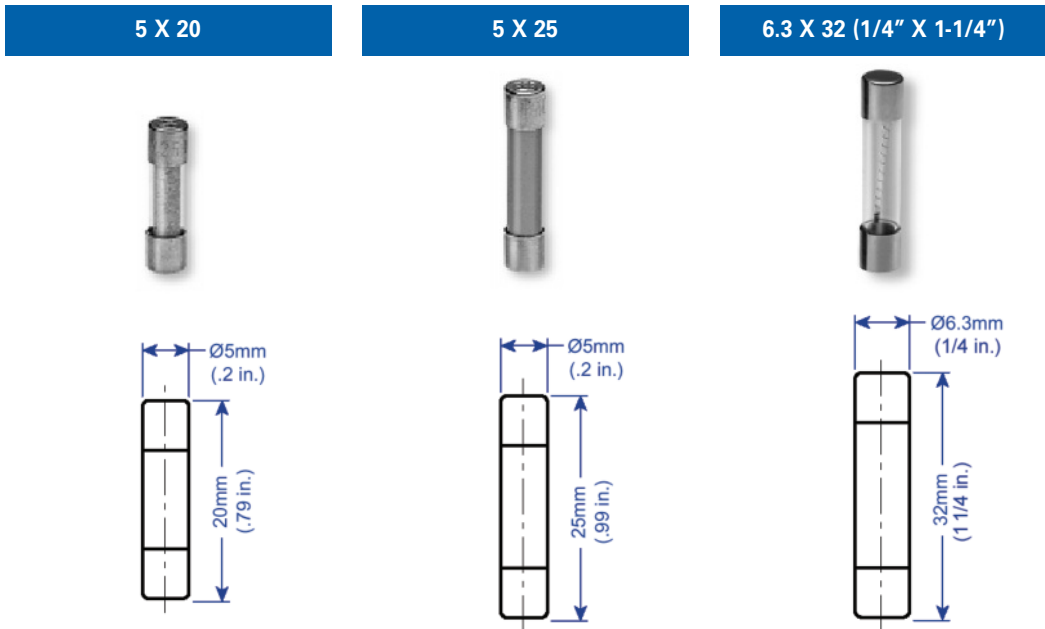


Miniature Fuses are typically used to protect electronic devices, laboratory instruments, stereos, TV's, VCR's etc. They are available in four sizes with a current range of 20mA to 20 Amps. Miniature Fuses are manufactured according to VDE 0820 part 1, VDE 0820 part 2, IEC publication 127, CEE publication 4 and actual DIN standards.

The 5x20, 5x25 fuses can be used in the CSFL4U series terminal blocks. The 6.3x32 fuse can be used in the CAFL4U series terminal blocks.

Operating Class:
Slow, Typical Marking: "T"
Medium, Typical Marking: "M"
Fast, Typical Marking: "F"



| Current | Voltage 250V AC/DC DIN 41662 IEC-127-2/III | | | Voltage 250V AC/DC DIN 41571-2 | | Voltage 250V AC/DC DIN 41571-2 | |
|---------|---|-------------|--------------------------|-----------------------------------|----------------------------|-----------------------------------|-----------------------------|
| | DIN 41571-2 | | | DIN 41661 IEC-127-2/II | | DIN 41571-2 | |
| | Cat. No. | | | Cat. No. | | Cat. No. | |
| | Slow | Medium | Fast | Medium | Slow | Fast | |
| 20mA | | 0.02M5x20M | | | 0.032M6.3x32T | | |
| 32mA | | 0.032M5x20M | | 0.032M5x25M | 0.04M6.3x32T | | |
| 40mA | | | | 0.04M5x25M | 0.05M6.3x32T ⁴ | | 0.05M6.3x32F |
| 50mA | 0.05M5x20T ⁴ | 0.05M5x20M | 0.05M5x20F ⁴ | 0.05M5x25M | 0.063M6.3x32T ⁴ | 0.063M6.3x32F | 0.063M6.3x32F |
| 63mA | | 0.063M5x20M | | 0.063M5x25M | 0.08M6.3x32T ⁴ | 0.08M6.3x32F | 0.08M6.3x32F |
| 80mA | 0.08M5x20T ⁴ | 0.08M5x20M | | 0.08M5x25M | 0.1M6.3x32T ⁴ | 0.1M6.3x32F | 0.1M6.3x32F |
| 100mA | 0.1M5x20T ⁴ | 0.1M5x20M | 0.1M5x20F ⁴ | 0.1M5x25M | 0.125M6.3x32T ⁴ | 0.125M6.3x32F | 0.125M6.3x32F |
| 125mA | 0.125M5x20T ⁴ | 0.125M5x20M | 0.125M5x20F ⁴ | 0.125M5x25M | 0.16M6.3x32T ⁴ | 0.16M6.3x32F | 0.16M6.3x32F |
| 160mA | 0.16M5x20T ⁴ | 0.16M5x20M | 0.16M5x20F ⁴ | 0.16M5x25M | 0.2M6.3x32T ⁴ | 0.2M6.3x32F | 0.2M6.3x32F |
| 200mA | 0.2M5x20T ⁴ | 0.2M5x20M | 0.2M5x20F ⁴ | 0.2M5x25M | 0.25M6.3x32T ⁴ | 0.25M6.3x32F | 0.25M6.3x32F |
| 250mA | 0.25M5x20T ⁴ | 0.25M5x20M | 0.25M5x20F ⁴ | 0.25M5x25M | 0.315M6.3x32T ⁴ | 0.315M6.3x32F | 0.315M6.3x32F |
| 315mA | 0.315M5x20T ⁴ | 0.315M5x20M | 0.315M5x20F ⁴ | 0.315M5x25M | | | |
| 400mA | 0.4M5x20T ⁴ | 0.4M5x20M | 0.4M5x20F ⁴ | 0.4M5x25M | 0.4M6.3x32T ⁴ | 0.4M6.3x32F | 0.4M6.3x32F |
| 500mA | 0.5M5x20T ⁴ | 0.5M5x20M | 0.5M5x20F ⁴ | 0.5M5x25M | 0.5M6.3x32T ⁴ | 0.5M6.3x32F | 0.5M6.3x32F |
| 630mA | 0.63M5x20T ⁴ | 0.63M5x20M | 0.63M5x20F ⁴ | 0.63M5x25M | 0.63M6.3x32T ⁴ | 0.63M6.3x32F | 0.63M6.3x32F |
| 700mA | 0.7M5x20T ⁴ | 0.7M5x20M | 0.7M5x20F ⁴ | 0.7M5x25M | 0.7M6.3x32T ⁴ | 0.7M6.3x32F | 0.7M6.3x32F |
| 800mA | 0.8M5x20T ⁴ | 0.8M5x20M | 0.8M5x20F ⁴ | 0.8M5x25M | 0.8M6.3x32T ⁴ | 0.8M6.3x32F | 0.8M6.3x32F |
| 1.0A | 1.0M5x20T ⁴ | 1.0M5x20M | 1.0M5x20F ⁴ | 1.0M5x25M | 1.0M6.3x32T ⁴ | 1.0M6.3x32F | 1.0M6.3x32F |
| 1.25A | 1.25M5x20T ⁴ | 1.25M5x20M | 1.25M5x20F ⁴ | 1.25M5x25M | 1.25M6.3x32T ⁴ | 1.25M6.3x32F | 1.25M6.3x32F |
| 1.4A | 1.4M5x20T ⁴ | 1.4M5x20M | | 1.4M5x25M | | | |
| 1.6A | 1.6M5x20T ⁴ | 1.6M5x20M | 1.6M5x20F ⁴ | | 1.6M6.3x32T ⁴ | 1.6M6.3x32F | 1.6M6.3x32F |
| 2.0A | 2.0M5x20T ⁴ | 2.0M5x20M | 2.0M5x20F ⁴ | 2.0M5x25M | 2.0M6.3x32T ⁴ | 2.0M6.3x32F | 2.0M6.3x32F |
| 2.5A | 2.5M5x20T ⁴ | 2.5M5x20M | 2.5M5x20F ⁴ | 2.5M5x25M | 2.5M6.3x32T ⁴ | 2.5M6.3x32F | 2.5M6.3x32F |
| 3.15A | 3.15M5x20T ⁴ | 3.15M5x20M | 3.15M5x20F ⁴ | 3.15M5x25M | 3.15M6.3x32T ⁴ | 3.15M6.3x32F ^{2,4} | 3.15M6.3x32F ^{2,4} |
| 4.0A | 4.0M5x20T ⁴ | 4.0M5x20M | 4.0M5x20F ⁴ | 4.0M5x25M | 4.0M6.3x32T ⁴ | 4.0M6.3x32F ^{2,4} | 4.0M6.3x32F ^{2,4} |
| 5.0A | 5.0M5x20T ⁴ | 5.0M5x20M | 5.0M5x20F ⁴ | 5.0M5x25M | 5.0M6.3x32T ⁴ | 5.0M6.3x32F ^{3,4} | 5.0M6.3x32F ^{3,4} |
| 6.3A | 6.3M5x20T ⁴ | 6.3M5x20M | 6.3M5x20F ⁴ | 6.3M5x25M | 6.3M6.3x32T ⁴ | 6.3M6.3x32F ^{3,4} | 6.3M6.3x32F ^{3,4} |
| 7.0A | | | | | 7.0M6.3x32T ⁴ | 7.0M6.3x32F ³ | 7.0M6.3x32F ³ |
| 8.0A | 8.0M5x20T ¹ | 8.0M5x20M | 8.0M5x20F ¹ | | 8.0M6.3x32T ⁴ | 8.0M6.3x32F ³ | 8.0M6.3x32F ³ |
| 10.0A | 10.0M5x20T ¹ | 10.0M5x20M | 10.0M5x20F ¹ | 8.0M5x25M ¹ | 10.0M6.3x32T ⁴ | 10.0M6.3x32F ³ | 10.0M6.3x32F ³ |
| 12.5A | 12.5M5x20T ¹ | 12.5M5x20M | 12.5M5x20F ¹ | 10.0M5x25M ¹ | 12.5M6.3x32T ⁴ | 12.5M6.3x32F ³ | 12.5M6.3x32F ³ |
| 16.0A | 16.0M5x20T ¹ | 16.0M5x20M | 16.0M5x20F ¹ | 16.0M5x25M ¹ | 16.0M6.3x32T ⁴ | 16.0M6.3x32F ³ | 16.0M6.3x32F ³ |
| 20.0A | 20.0M5x20T ¹ | 20.0M5x20M | 20.0M5x20F ¹ | | 20.0M6.3x32T ⁴ | 20.0M6.3x32F ³ | 20.0M6.3x32F ³ |
| | Std. Pk. 10 | | | Std. Pk. 10 | | Std. Pk. 10 | |

1 Not standard rating.
2 Rated Voltage 150V.
3 Rated Voltage 60V.
4 UL recognized version available upon request.