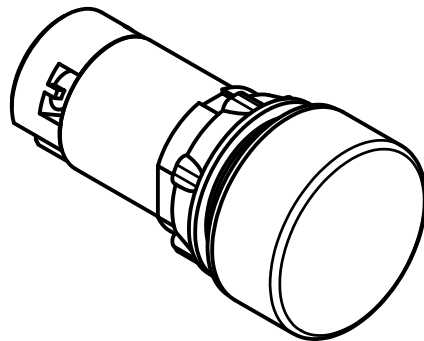
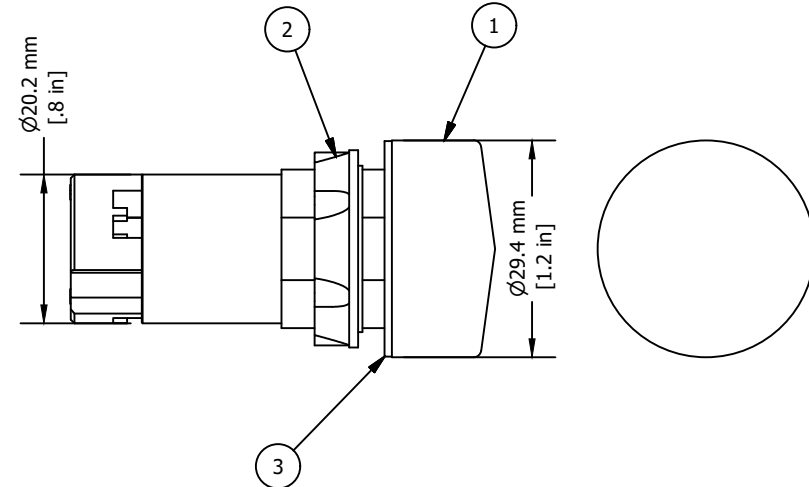
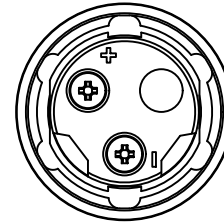
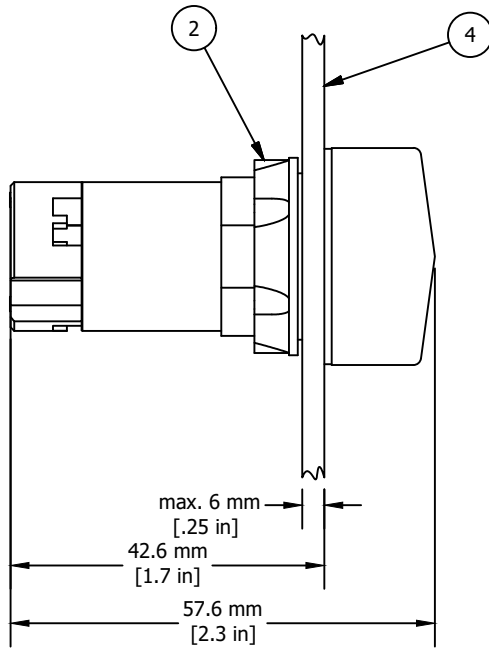


REVISIONS FOR DWG # 3PLBRXL-YYY

REV	CH.NO.	DESCRIPTION	DATE	REVISED BY
-	-	ORIGINAL DESIGN	07/18/16	ARON G



yyy = Voltage

012	=	12V AC/DC
024	=	24V AC/DC
048	=	48V AC/DC
110	=	110V AC/DC
230	=	230V AC
230D	=	230V DC

\* = Pilot Light is supplied with mounting nut and rubber gasket (ITEM 2 and 3)

ITEM	DESCRIPTION	CAT. NO.	COLOR	MIN. QTY.	MAX. QTY.
1*	Unibody LED Indicator Plastic Pilot Light	3PLBR1L-yyy	White Lense/Yellow LED	1	1
		3PLBR1LS-yyy	White Lense/White LED	1	1
		3PLBR3L-yyy	Green Lense/Green LED	1	1
		3PLBR4L-yyy	Red Lense/Red LED	1	1
		3PLBR5L-yyy	Amber Lense/Amber LED	1	1
		3PLBR6L-yyy	Blue Lense/Blue LED	1	1
		3PLBR7L-yyy	Clear Lense/Yellow LED	1	1
		3PLBR7LS-yyy	Clear Lense/White LED	1	1
		3PLBR8LS-yyy	Yellow Lense/Yellow LED	1	1
2*	Mounting Nut	P2BRK	Black	1	1
3*	Rubber Gasket	3PRG1	Black	1	1
4	Panel	-	-	-	-

UNLESS OTHERWISE SPECIFIED  
 • ALL DIMENSIONS ARE IN MILLIMETERS  
 • THIRD ANGLE PROJECTION

• TOLERANCE	
XX	∓ 1.00 mm
XX.X	∓ 0.50 mm
XX.XX	∓ 0.20 mm
ALL	∓ XX mm

C-THINK

This Drawing is the property of

**Altrech Corp.**

35 Royal Road  
 Flemington NJ 08822-6000  
 (908) 806-9400 • Fax (908) 806-9490

AND IS A CONFIDENTIAL DISCLOSURE LENT WITHOUT CONSIDERATION OTHER THAN THE BORROWER'S AGREEMENT THAT IT SHALL NOT BE REPRODUCED, COPIED, LENT, OR DISPOSED OF DIRECTLY OR INDIRECTLY NOR USED FOR ANY PURPOSE OTHER THAN THAT FOR WHICH IT IS SPECIFICALLY FURNISHED.

TITLE: Unibody LED Indicator Plastic Lights Operator, PN:3PLBRXL-YYY

DRAWN BY: Aron Gyorgypal	07/18/16
CHECKED BY: Laszlo G	07/18/16
RELEASED BY: Laszlo G	07/18/16

DRAWING NO.:  
M-Cad-1PB-3PLBRXL-YYY

REV.:  
-

SCALE: -

SHEET: 1 OF: 1