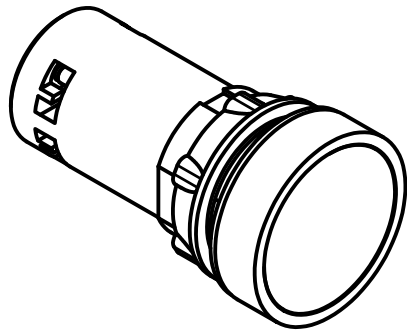
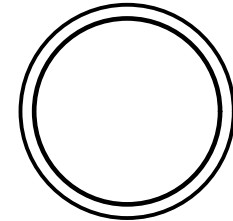
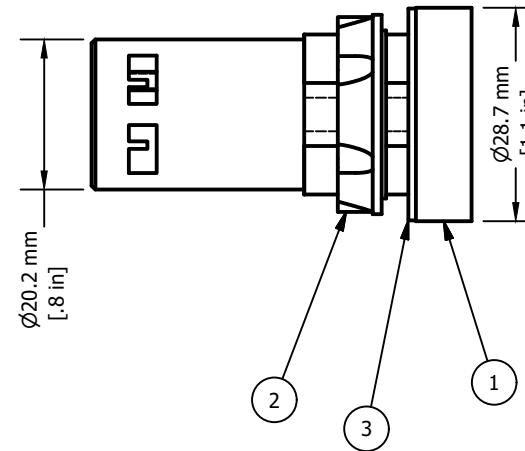
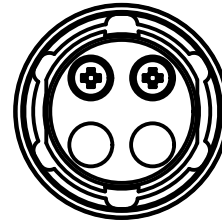
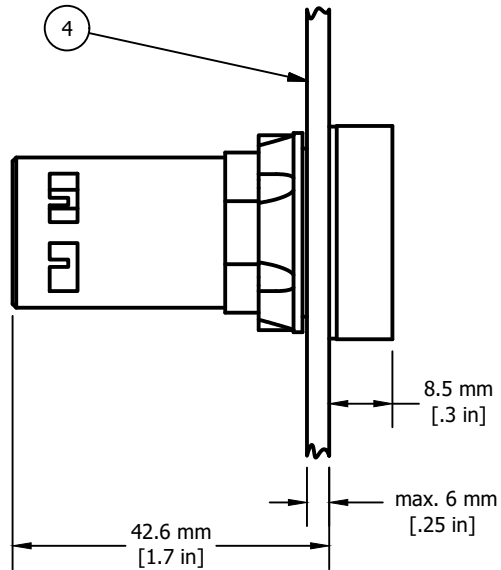


REVISIONS FOR DWG # 3PSFXYY

REV	CH.NO.	DESCRIPTION	DATE	REVISED BY
-	-	ORIGINAL DESIGN	07/18/16	ARON G



yy = Contact Configuration

10	=	1NO Contact
01	=	1NC Contact
11	=	1NO + 1NC Contacts
20	=	2NO Contacts
02	=	2NC Contacts

* = Push Button is supplied with mounting nut and rubber gasket (ITEM 2 and 3)

ITEM	DESCRIPTION	CAT. NO.	COLOR	MIN. QTY.	MAX. QTY.
1*	Economy Plastic Push Button	3PSF1yy	White	1	1
		3PSF2yy	Black	1	1
		3PSF3yy	Green	1	1
		3PSF4yy	Red	1	1
		3PSF6yy	Blue	1	1
		3PSF8yy	Yellow	1	1
2*	Mounting Nut	P2BRK	Black	1	1
3*	Rubber Gasket	3PRG1	Black	1	1
4	Panel	-	-	-	-

UNLESS OTHERWISE SPECIFIED
 • ALL DIMENSIONS ARE IN MILLIMETERS
 • THIRD ANGLE PROJECTION

• TOLERANCE	
XX	± 1.00 mm
XX.X	± 0.50 mm
XX.XX	± 0.20 mm
ALL	± XX mm

C-RTM

This Drawing is the property of
Altech Corp.

35 Royal Road
 Flemington NJ 08822-6000
 (908) 806-9400 • Fax (908) 806-9490

AND IS A CONFIDENTIAL DISCLOSURE
 LENT WITHOUT CONSIDERATION OTHER
 THAN THE BORROWER'S AGREEMENT
 THAT IT SHALL NOT BE REPRODUCED,
 COPIED, LENT, OR DISPOSED OF
 DIRECTLY OR INDIRECTLY NOR USED
 FOR ANY PURPOSE OTHER THAN THAT
 FOR WHICH IT IS SPECIFICALLY
 FURNISHED.

TITLE: Economy Non-Illuminated Plastic
 Push Button, Momentary, PN:3PSFXYY

DRAWN BY: Aron Gyorgypal	07/18/16
CHECKED BY: Laszlo G	07/18/16
RELEASED BY: Laszlo G	07/18/16

DRAWING NO.:	REV.:
M-Cad-1PB-3PSFXYY	-
SCALE: -	SHEET: 1 OF: 1