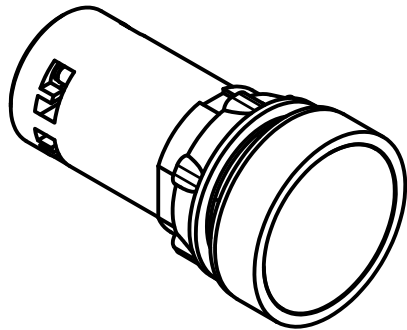
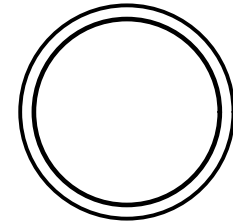
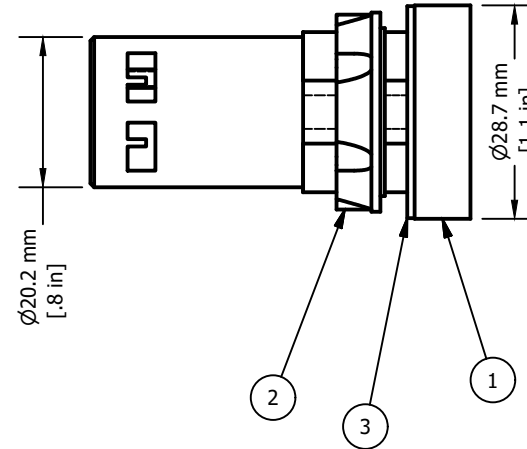
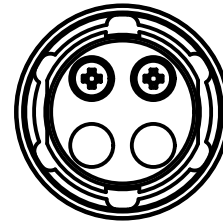
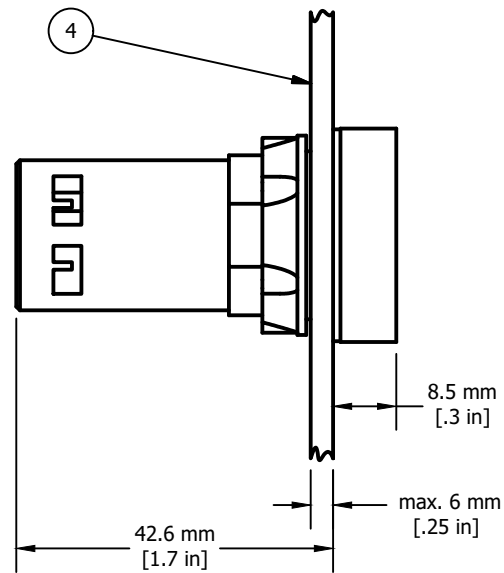


REVISIONS FOR DWG # 3PSFPPXYY

REV	CH.NO.	DESCRIPTION	DATE	REVISED BY
-	-	ORIGINAL DESIGN	07/18/16	ARON G



yy = Contact Configuration

10	=	1NO Contact
01	=	1NC Contact
11	=	1NO + 1NC Contacts
20	=	2NO Contacts
02	=	2NC Contacts

* = Push Button is supplied with mounting nut and rubber gasket (ITEM 2 and 3)

ITEM	DESCRIPTION	CAT. NO.	COLOR	MIN. QTY.	MAX. QTY.
1*	Economy Plastic Maintained Push Button (Push-Push)	3PSFPP1yy	White	1	1
		3PSFPP2yy	Black	1	1
		3PSFPP3yy	Green	1	1
		3PSFPP4yy	Red	1	1
		3PSFPP6yy	Blue	1	1
3PSFPP8yy	Yellow	1	1		
2*	Mounting Nut	P2BRK	Black	1	1
3*	Rubber Gasket	3PRG1	Black	1	1
4	Panel	-	-	-	-

UNLESS OTHERWISE SPECIFIED
 • ALL DIMENSIONS ARE IN MILLIMETERS
 • THIRD ANGLE PROJECTION

TOLERANCE	SYMBOL	VALUE
XX	∅	1.00mm
XX.X	∅	0.50 mm
XX.XX	∅	0.20 mm
ALL		XXmm

C-RTM

This Drawing is the property of

Altech Corp.

35 Royal Road
 Flemington NJ 08822-6000
 (908) 806-9400 • Fax (908) 806-9490

AND IS A CONFIDENTIAL DISCLOSURE LENT WITHOUT CONSIDERATION OTHER THAN THE BORROWER'S AGREEMENT THAT IT SHALL NOT BE REPRODUCED, COPIED, LENT, OR DISPOSED OF DIRECTLY OR INDIRECTLY NOR USED FOR ANY PURPOSE OTHER THAN THAT FOR WHICH IT IS SPECIFICALLY FURNISHED.

TITLE: Economy Non-Illuminated Plastic Push Buttons, Maintained, PN:3PSFPPXYY

DRAWN BY: Aron Gyorgypal	07/18/16	DRAWING NO.:	M-Cad-1PB-3PSFPPXYY	REV.:	-
CHECKED BY: Laszlo G	07/18/16	SCALE:	-	SHEET:	1 OF: 1
RELEASED BY: Laszlo G	07/18/16				