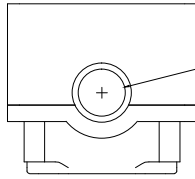
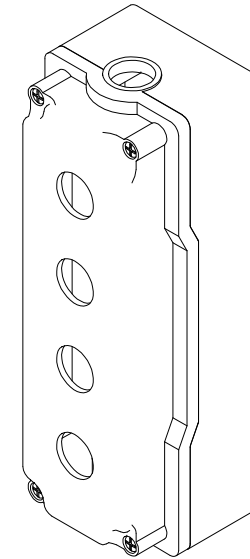
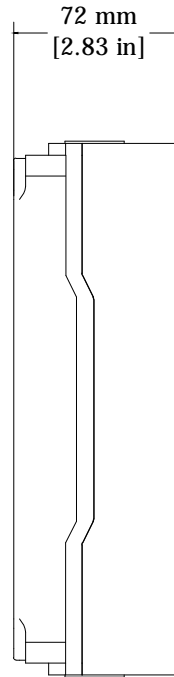
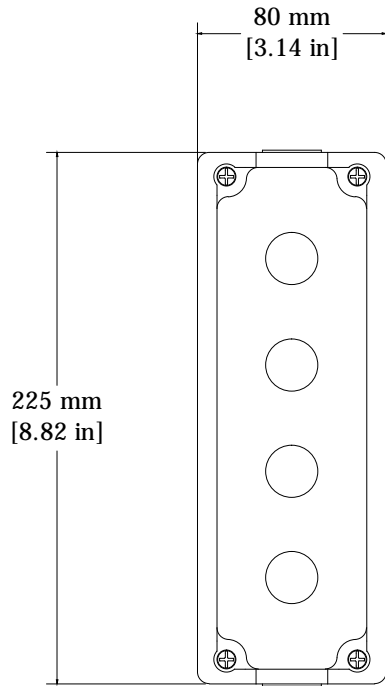


REVISIONS FOR DWG # 7005G13

| REV | CH.NO. | DESCRIPTION | DATE | REVISED BY |
|-----|--------|-----------------|----------|------------|
| - | - | ORIGINAL DESIGN | 06/29/16 | ARON G |



2x1/2"-14NPT



UNLESS OTHERWISE SPECIFIED
 • ALL DIMENSIONS ARE IN MILLIMETERS
 • THIRD ANGLE PROJECTION

| • TOLERANCE | |
|-------------|---------|
| XX | 1.00 mm |
| XX.X | 0.50 mm |
| XX.XX | 0.20 mm |
| ALL | XX mm |

CIRTEK

This Drawing is the property of

Altrech Corp.

35 Royal Road
 Flemington NJ 08822-6000
 (908) 806-9400 • Fax (908) 806-9490

AND IS A CONFIDENTIAL DISCLOSURE LENT WITHOUT CONSIDERATION OTHER THAN THE BORROWER'S AGREEMENT THAT IT SHALL NOT BE REPRODUCED, COPIED, LENT, OR DISPOSED OF DIRECTLY OR INDIRECTLY NOR USED FOR ANY PURPOSE OTHER THAN THAT FOR WHICH IT IS SPECIFICALLY FURNISHED.

TITLE: 22mm Aluminum Enclosure
 PN: 7005G13

| | | | | | |
|-----------------------------|----------|--------------|-------------------|--------|---------|
| DRAWN BY: Aron Gyorgypal | 06/29/16 | DRAWING NO.: | M-Cad-1PB-7005G13 | REV.: | - |
| CHECKED BY: Laszlo G | 06/29/16 | SCALE: | - | SHEET: | 1 OF: 1 |
| RELEASED BY: Laszlo G | 06/29/16 | | | | |