

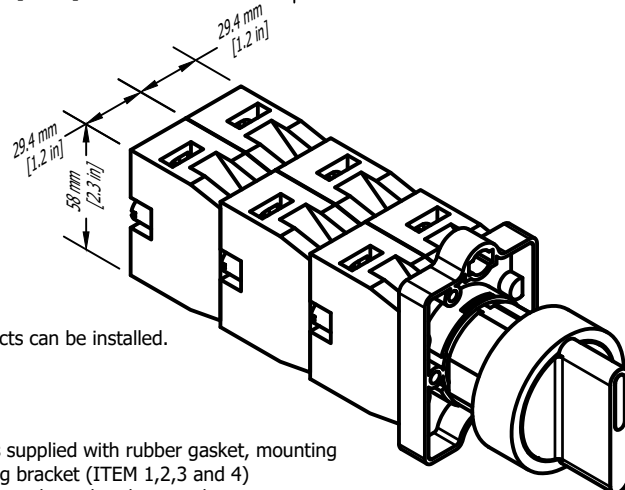
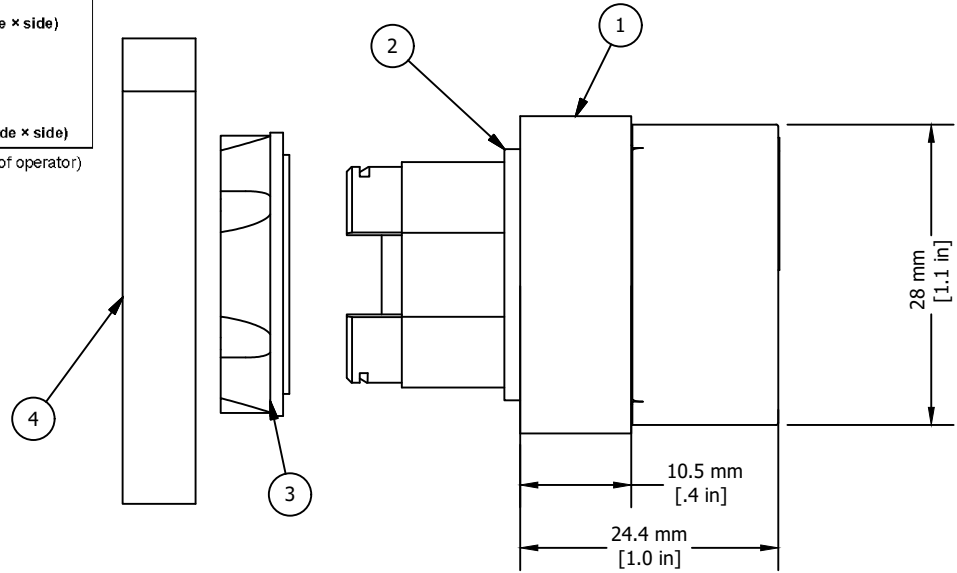
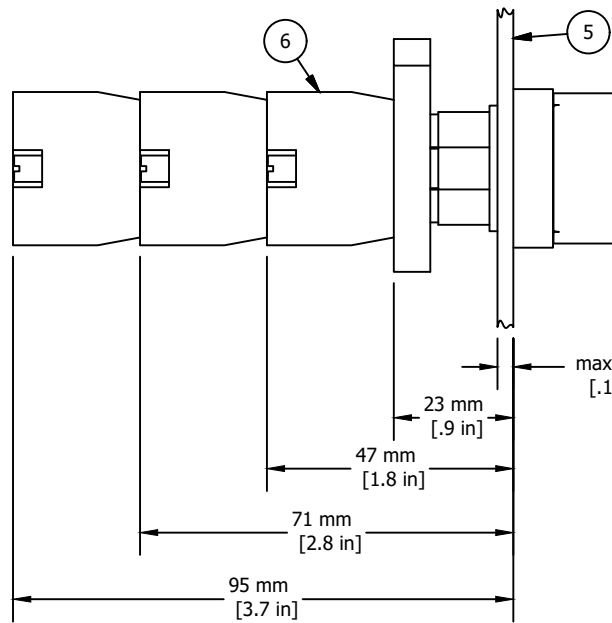
REVISIONS FOR DWG # P2AS2-X

REV	CH.NO.	DESCRIPTION	DATE	REVISED BY
-	-	ORIGINAL DESIGN	07/18/16	ARON G

3 POSITION SELECTOR SWITCH CONTACT BLOCK OPERATION GUIDE

⌚	⌚	⌚	CONTACT BLOCK GUIDE
×	○	○	1 NO (left)
○	×	○	2 NC in series (side × side)
○	○	×	1 NO (right)
×	×	○	1 NC (right)
○	×	×	1 NC (left)
×	○	×	2 NO in parallel (side × side)

(Left or right as seen from front of operator)



Up to six switch contacts can be installed.

- * = Selector Switch is supplied with rubber gasket, mounting nut and mounting bracket (ITEM 1,2,3 and 4)
- ** = Switch Contacts must be ordered separately

ITEM	DESCRIPTION	CAT. NO.	COLOR	Type	MIN. QTY.	MAX. QTY.
1*	Selector Switch	P2AS2-1	Black	Maintained/2 Position	1	1
		P2AS2-3	Black	Maintained/3 Position	1	1
		P2AS2-4	Black	Momentary/3 Position	1	1
2*	Rubber Gasket	2PRG1	Black	-	1	1
3*	Mounting Nut	P2MN	Black	-	1	1
4*	Mounting Bracket	P2BRK	Black	-	1	1
5	Panel	-	-	-	-	-
6**	Switch Contacts	S1	Green	-	1	6
		S2	Red	-	1	6
		S3	Green/Gray	-	1	6
		S4	Red/Gray	-	1	6

UNLESS OTHERWISE SPECIFIED
 • ALL DIMENSIONS ARE IN MILLIMETERS
 • THIRD ANGLE PROJECTION

TOLERANCE	SYMBOL	VALUE
XX	⊕	1.00 mm
XX.X	⊕	0.50 mm
XX.XX	⊕	0.20 mm
ALL	⊕	XX mm

ORTHOM

This Drawing is the property of

Altrech Corp.

35 Royal Road
 Flemington NJ 08822-6000
 (908) 806-9400 • Fax (908) 806-9490

AND IS A CONFIDENTIAL DISCLOSURE LENT WITHOUT CONSIDERATION OTHER THAN THE BORROWER'S AGREEMENT THAT IT SHALL NOT BE REPRODUCED, COPIED, LENT, OR DISPOSED OF DIRECTLY OR INDIRECTLY NOR USED FOR ANY PURPOSE OTHER THAN THAT FOR WHICH IT IS SPECIFICALLY FURNISHED.

TITLE: 22mm Thermoplastic Enclosure Selector Switch Operator, PN: P2AS2-X

DRAWN BY: Aron Gyorgypal	07/18/16	DRAWING NO.:	M-Cad-1PB-P2AS2-X	REV.:	-
CHECKED BY: Laszlo G	07/18/16	SCALE:	-	SHEET:	1 OF: 1
RELEASED BY: Laszlo G	07/18/16				