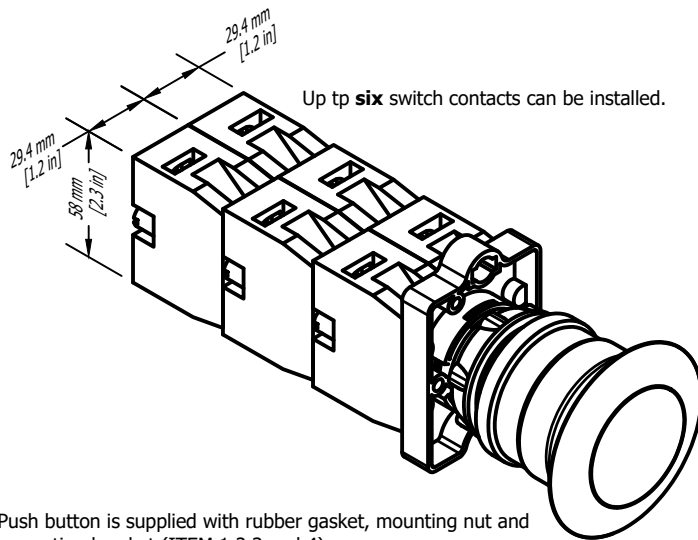
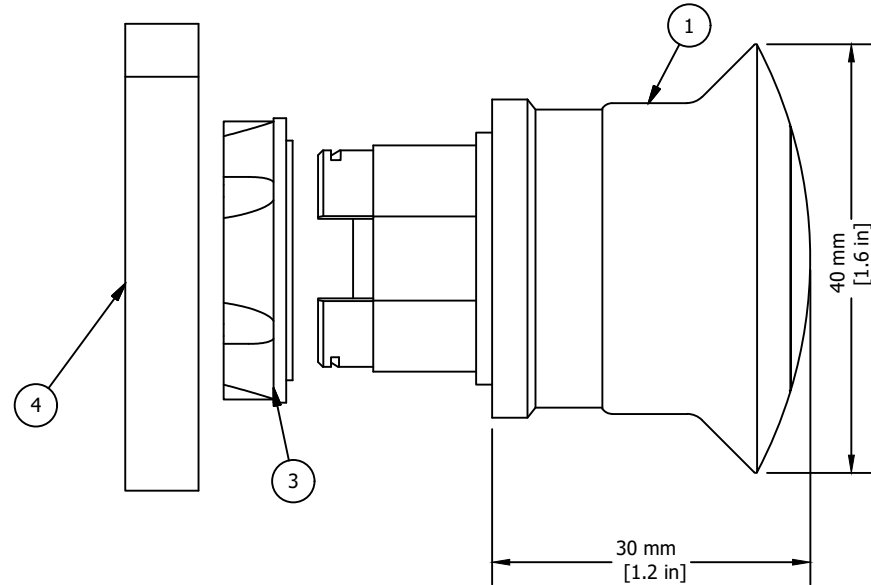
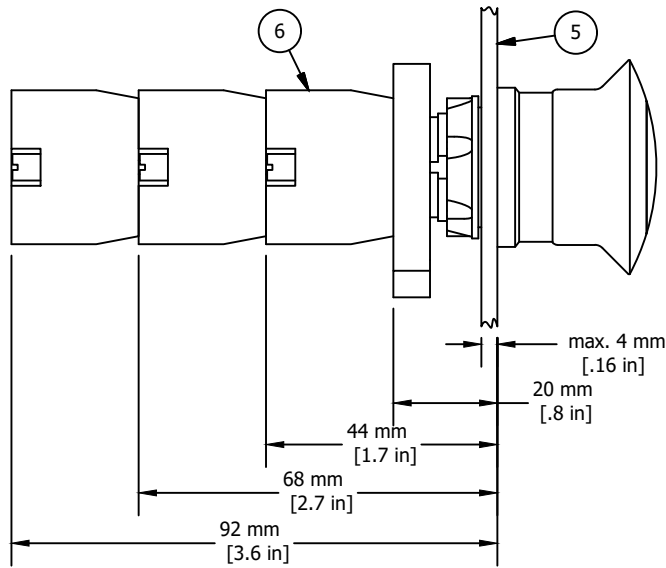


REVISIONS FOR DWG # P2AM4

REV	CH.NO.	DESCRIPTION	DATE	REVISED BY
-	-	ORIGINAL DESIGN	07/18/16	ARON G



ITEM	DESCRIPTION	CAT. NO.	COLOR	MIN. QTY.	MAX. QTY.
1*	Mushroom, 40 mm Momentary	P2AM4	Red	1	1
2*	Rubber Gasket	2PRG1	Black	1	1
3*	Mounting Nut	P2MN	Black	1	1
4*	Mounting Bracket	P2BRK	Black	1	1
5	Panel	-	-	-	-
5**	Switch Contacts	S1	Green	1	6
		S2	Red	1	6
		S3	Green/Gray	1	6
		S4	Red/Gray	1	6

\* = Push button is supplied with rubber gasket, mounting nut and mounting bracket (ITEM 1,2,3 and 4)  
 \*\* = Switch Contacts must be ordered separately

UNLESS OTHERWISE SPECIFIED  
 • ALL DIMENSIONS ARE IN MILLIMETERS  
 • THIRD ANGLE PROJECTION

TOLERANCE	SYMBOL	VALUE
XX	⌀	1.00mm
XX.X	⌀	0.50 mm
XX.XX	⌀	0.20 mm
ALL	⌀	XXmm

C-RTM

This Drawing is the property of

**Altrech Corp.**

35 Royal Road  
 Flemington NJ 08822-6000  
 (908) 806-9400 • Fax (908) 806-9490

AND IS A CONFIDENTIAL DISCLOSURE LENT WITHOUT CONSIDERATION OTHER THAN THE BORROWER'S AGREEMENT THAT IT SHALL NOT BE REPRODUCED, COPIED, LENT, OR DISPOSED OF DIRECTLY OR INDIRECTLY NOR USED FOR ANY PURPOSE OTHER THAN THAT FOR WHICH IT IS SPECIFICALLY FURNISHED.

TITLE: 22mm Thermoplastic Enclosure Mushroom Operator, PN: P2AM4

DRAWN BY: Aron Gyorgypal	07/18/16
CHECKED BY: Laszlo G	07/18/16
RELEASED BY: Laszlo G	07/18/16

DRAWING NO.:	REV.:
M-Cad-1PB-P2AM4	-
SCALE: -	SHEET: 1 OF: 1