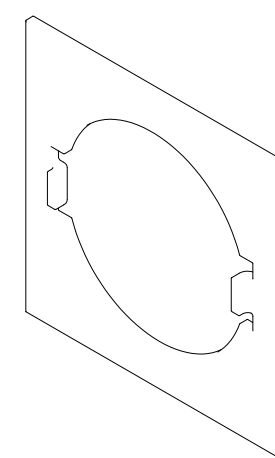
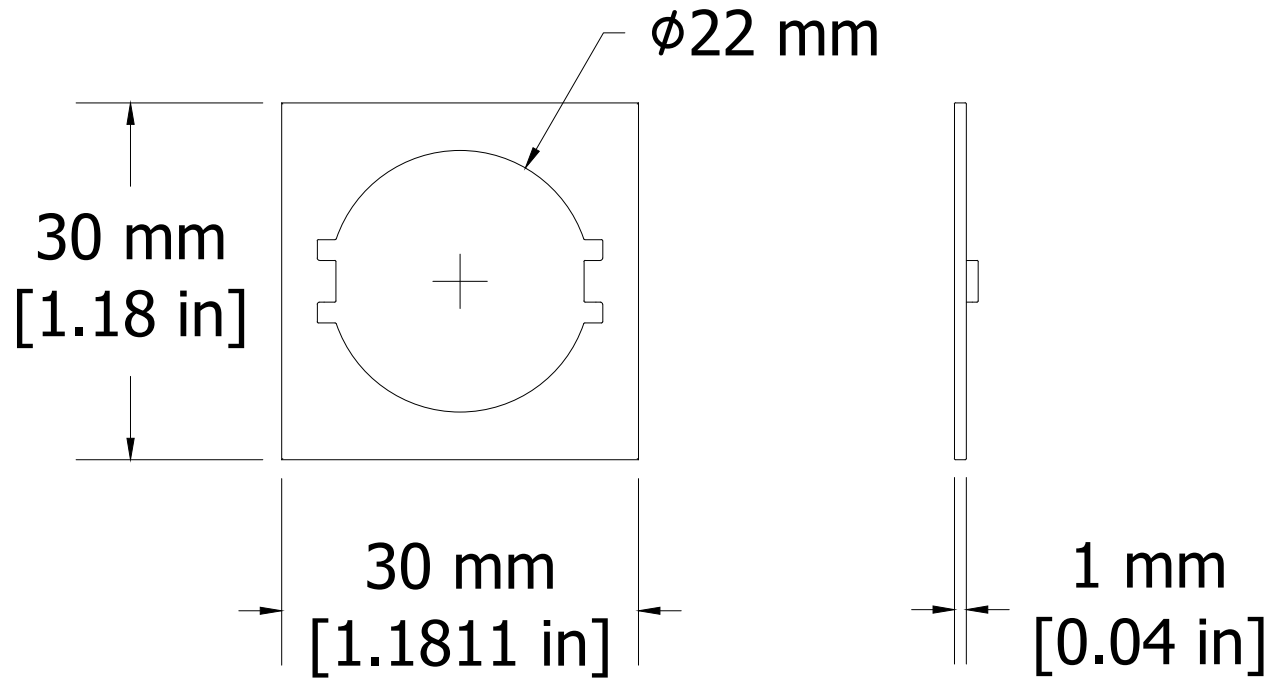


REVISIONS FOR DWG # 2RLW

| REV | CH.NO. | DESCRIPTION     | DATE     | REVISED BY |
|-----|--------|-----------------|----------|------------|
| -   | -      | ORIGINAL DESIGN | 07/18/16 | ARON G     |



UNLESS OTHERWISE SPECIFIED

- ALL DIMENSIONS ARE IN MILLIMETERS
- THIRD ANGLE PROJECTION

| • TOLERANCE |           |
|-------------|-----------|
| XX          | ∅ 1.00 mm |
| XX.X        | ∅ 0.50 mm |
| XX.XX       | ∅ 0.20 mm |
| ALL         | ∅ XX mm   |

This Drawing is the property of  
**Altrech Corp.**  
 35 Royal Road  
 Flemington NJ 08822-6000  
 (908) 806-9400 • Fax (908) 806-9490

AND IS A CONFIDENTIAL DISCLOSURE LENT WITHOUT CONSIDERATION OTHER THAN THE BORROWER'S AGREEMENT THAT IT SHALL NOT BE REPRODUCED, COPIED, LENT, OR DISPOSED OF DIRECTLY OR INDIRECTLY NOR USED FOR ANY PURPOSE OTHER THAN THAT FOR WHICH IT IS SPECIFICALLY FURNISHED.

|   |          |                |                |
|---|----------|----------------|----------------|
| TITLE: 22mm Thermoplastic Enclosure Accessory Rotational Washer, PN: 2RLW |          |                |                |
| DRAWN BY:<br>Aron Gyorgypal   | 07/18/16 | DRAWING NO.:   | REV.:          |
| CHECKED BY:<br>Laszlo G   | 07/18/16 | M-Cad-1PB-2RLW | -              |
| RELEASED BY:<br>Laszlo G  | 07/18/16 | SCALE: -       | SHEET: 1 OF: 1 |