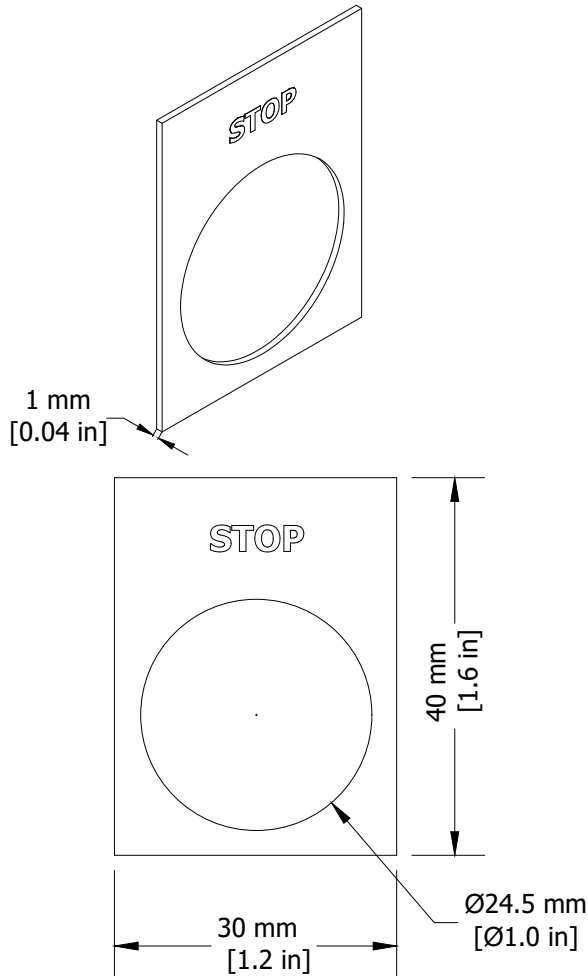


REVISIONS FOR DWG # 2LPXX

REV	CH.NO.	DESCRIPTION	DATE	REVISED BY
-	-	ORIGINAL DESIGN	08/10/16	ARON G



Many legend plates are printed on both sides, one side in horizontal and the other side in a vertical orientation.

Stock code	Description	Stock code	Description	Stock code	Description	Stock code	Description
2LP126	"BLEED "	2LP41	EMERGENCY STOP	2LP35	"O I"	2LP215	"REGEN"
2LP130	"BLOCK "	2LP56	Emergency Stop	2LP16	"OFF"	2LP22	"REMOTE"
2LP128	"DECREASE "	2LP66	Emergency Stop	2LP46	"OFF - ON"	2LP13	"RESET"
2LP115	"HOME - DIVERT "	2LP20SP	"ENCENDIDO"	2LP244	"OFF FEDER ON"	2LP103	"RESET/MANUAL/AUTO"
2LP127	"INCREASE "	2LP30SP	"ENCENDIDO APAGADO"	2LP117	OFFSHEET SCAN	2LP59	REV - OFF - FWD
2LP065P	"ABAJO"	2LP19SP	"FALLA"	2LP15	"ON"	2LP31	"REV FWD"
2LP258	"ABORT"	2LP12	"FAST"	2LP30	"ON OFF"	2LP04	"REVERSE"
2LP075P	"ABRIR"	2LP107	"FAULT"	2LP07	"OPEN"	2LP17	"RIGHT"
2LP035P	"ADELANTE"	2LP105	"FILM FEED"	2LP120	"OPEN OFF CLOSE"	2LP24	"RUN"
2LP315P	"ADELANTE ATRAS"	2LP42	"FOR-OFF-REV"	2LP119	"OPEN-CLOSE" and "CLOSE-OPEN"	2LP245	"SAFE RUN"
2LP202	AIRLEADER O I	2LP03	"FORWARD"	2LP74	"OVER"	2LP118	SAMPLE CHECK
2LP217	"ALARM"	2LP165P	"FUERA"	2LP58	OXY - ATM - AUTO	2LP61	SHEAR
2LP015P	"ARRANQUE"	2LP47	"FWD - REV"	2LP57	OXY - AUTO - ATM	2LP70	SHEAR
2LP285P	"ARRANQUE PARO"	2LP10	"HAND"	2LP025P	"PARO"	2LP102	"SIDE HEAT"
2LP055P	"ARRIBA"	2LP36	"HAND O AUTO"	2LP415P	"PARO DE EMERGENCIA"	2LP11	"SLOW"
2LP295P	"ARRIBA ABAJO"	2LP50	"HOLD"	2LP173	"PAUSE"	2LP37	"SLOW OFF FAST"
2LP385P	"ARRIBA FUERA ABAJO"	2LP34	"I I"	2LP259	"PAUSE/ABORT"	2LP241	"SOUTH"
2LP045P	"ATRAS"	2LP39	"I O II"	2LP230	"PM PUMP" * "AUTO-OFF-MAN"	2LP198	STANDBY RUN
2LP09	"AUTO"	2LP14	"INCH"	2LP48	"POSITION , AB"	2LP01	"START"
2LP43	"AUTO - MAN"	2LP172	"INCH HOLD"	2LP20	"POWER ON"	2LP28	"START STOP"
2LP219	"AUTO - OFF - MAN"	2LP63	INFEED	2LP131	"POWER ON : OFF"	2LP02	"STOP"
2LP32	"AUTO HAND"	2LP72	INFEED	2LP201	PROGRAM O I	2LP199	STOP START
2LP325P	"AUTO MAN"	2LP62	INFEED ON/OFF	2LP125	"PUMP"	2LP109	"SYNCHRONIZATION"
2LP27	"B PHASE"	2LP71	INFEED ON/OFF	2LP222	"PUMP ON"	2LP171	"TANK ALARM"
2LP124	"BEND RETRACT"	2LP237	"IP PUMP" * "AUTO-OFF-MAN"	2LP170	"PUMP RUN"	2LP224	"TANK LOW"
2LP40	Blank Aluminum	2LP221	"IRRIGATE ON"	2LP220	"PUMP VALVE"	2LP60	TBD
2LP101	"BOTTOM HEAT"	2LP185P	"IZQUIERDA"	2LP225	"PUMP1" * "AUTO-OFF-MAN"	2LP196	"TEACH"
2LP085P	"CERRAR"	2LP69	JOG	2LP235	"PUMP10" * "AUTO-OFF-MAN"	2LPXX	temporary for custom imprint
2LP122	"CLAMP"	2LP45	"JOG - RUN"	2LP226	"PUMP2" * "AUTO-OFF-MAN"	2LP23	"TEST"
2LP51	"CLEAR"	2LP94	"JOG-RUN" and "RUN-JOG" H	2LP227	"PUMP3" * "AUTO-OFF-MAN"	2LP19	"TRIP"
2LP200	CLOCK O I	2LP204	"JOG-RUN" and "RUN-JOG" V(s)	2LP228	"PUMP4" * "AUTO-OFF-MAN"	2LP123	"UNCLAMP"
2LP08	"CLOSE"	2LP106	"KNIFE CYCLE"	2LP229	"PUMPS" * "AUTO-OFF-MAN"	2LP108	"UNDERLOAD"
2LP64	CLUTCH ON/OFF	2LP216	"L M H"	2LP231	"PUMP6" * "AUTO-OFF-MAN"	2LP05	"UP"
2LP73	CLUTCH ON/OFF	2LP18	"LEFT"	2LP232	"PUMP7" * "AUTO-OFF-MAN"	2LP29	"UP DOWN"
2LP110	CONTINUOUS DISCHARGE"	2LP145P	"LENTO"	2LP233	"PUMP8" * "AUTO-OFF-MAN"	2LP197	"UP DOWN" (2nd side vert prt)
2LP218	"CONTROL POWER"	2LP375P	"LENTO FUERA RAPIDO"	2LP234	"PUMP9" * "AUTO-OFF-MAN"	2LP38	"UP OFF DOWN"
2LP242	"CYCLE"	2LP195	"LOAD OFF RUN"	2LP116	PUSH TO STOP; PULL TO RELEASE	2LP223	"VALVE ON"
2LP55	Cycle Stop	2LP21	"LOCAL"	2LP104	"PUSHER CYCLE"	2LP239	"WEST"
2LP155P	"DENTRO"	2LP33	"LOCAL REMOTE"	2LP25	"R PHASE"	2LP111	"X FWD"
2LP175P	"DERECHO"	2LP335P	"LOCAL REMOTO"	2LP44	"RAISE - LOWER"	2LP112	"X REV"
2LP06	"DOWN"	2LP365P	"MAN O AUTO"	2LP125P	"RAPIDO"	2LP113	"Y FWD"
2LP129	"DUMP"	2LP105P	"MANUAL"	2LP49	"READY"	2LP26	"Y PHASE"
2LP238	"EAST"	2LP240	"NORTH"	2LP135P	"REARME"	2LP114	"Y REV"

UNLESS OTHERWISE SPECIFIED
 • ALL DIMENSIONS ARE IN MILLIMETERS
 • THIRD ANGLE PROJECTION

TOLERANCE	
XX	± 1.00 mm
XX.X	± 0.50 mm
XX.XX	± 0.20 mm
ALL	± XX mm

CIRTIM

This Drawing is the property of

Altrech Corp.

35 Royal Road
 Flemington NJ 08822-6000
 (908) 806-9400 • Fax (908) 806-9490

AND IS A CONFIDENTIAL DISCLOSURE LENT WITHOUT CONSIDERATION OTHER THAN THE BORROWER'S AGREEMENT THAT IT SHALL NOT BE REPRODUCED, COPIED, LENT, OR DISPOSED OF DIRECTLY OR INDIRECTLY NOR USED FOR ANY PURPOSE OTHER THAN THAT FOR WHICH IT IS SPECIFICALLY FURNISHED.

TITLE: 22mm Push Button Accessory Legend Plate, PN: 2LPXX

DRAWN BY: Aron Gyorgypal	08/10/16	DRAWING NO.:	M-Cad-1PB-2LPXX	REV.:	-
CHECKED BY: Laszlo G	08/10/16	RELEASED BY: Laszlo G	08/10/16	SCALE:	-
SHEET: 1			OF: 1		