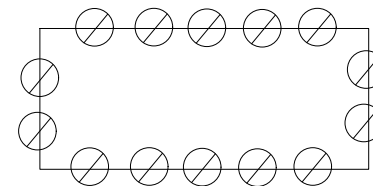
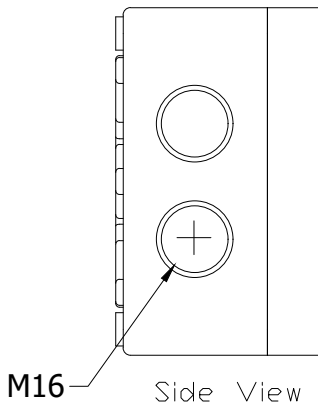
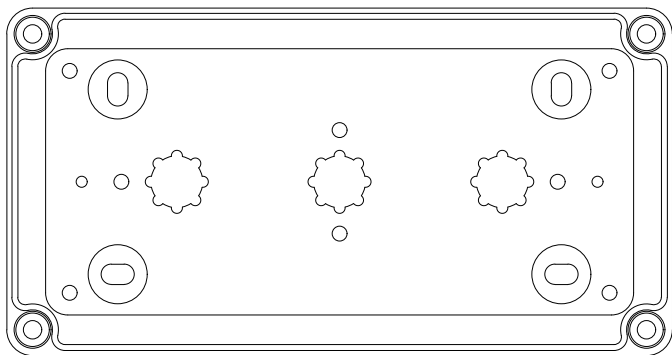
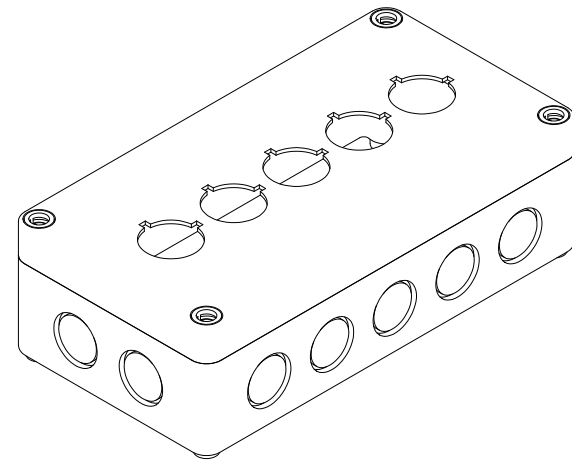
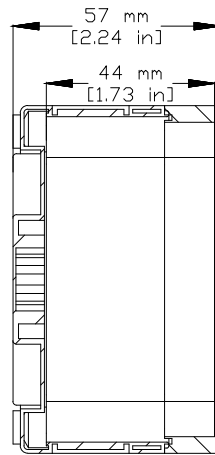
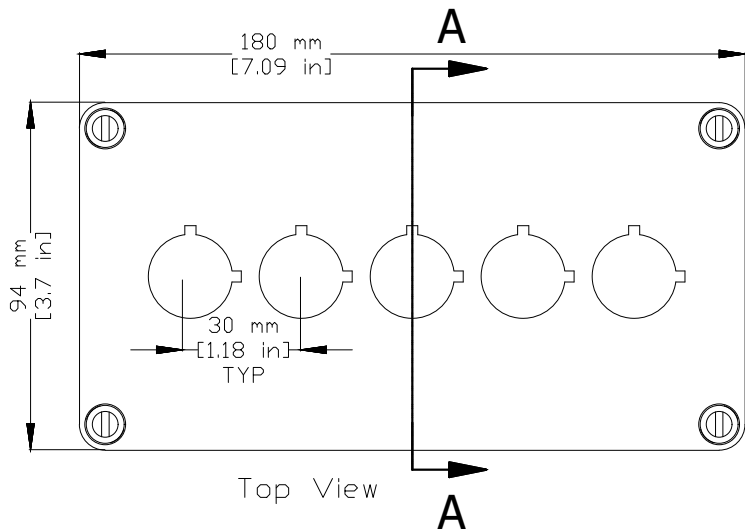


REVISIONS FOR DWG # 153-905/L

| REV | CH.NO. | DESCRIPTION     | DATE     | REVISED BY |
|-----|--------|-----------------|----------|------------|
| -   | -      | ORIGINAL DESIGN | 07/19/16 | ARON G     |



UNLESS OTHERWISE SPECIFIED  
 • ALL DIMENSIONS ARE IN MILLIMETERS  
 • THIRD ANGLE PROJECTION

| • TOLERANCE |           |
|-------------|-----------|
| XX          | ± 1.00mm  |
| XX.X        | ± 0.50 mm |
| XX.XX       | ± 0.20 mm |
| ALL         | ± .xxmm   |

CIRTEK

This Drawing is the property of

**Altrech Corp.**

35 Royal Road  
 Flemington NJ 08822-6000  
 (908) 806-9400 • Fax (908) 806-9490

AND IS A CONFIDENTIAL DISCLOSURE  
 LENT WITHOUT CONSIDERATION OTHER  
 THAN THE BORROWER'S AGREEMENT  
 THAT IT SHALL NOT BE REPRODUCED,  
 COPIED, LENT, OR DISPOSED OF  
 DIRECTLY OR INDIRECTLY NOR USED  
 FOR ANY PURPOSE OTHER THAN THAT  
 FOR WHICH IT IS SPECIFICALLY  
 FURNISHED.

TITLE: 22mm Polycarbonate Enclosure  
 Five Hole Enclosure

|                             |          |
|-----------------------------|----------|
| DRAWN BY:<br>Aron Gyorgypal | 07/19/16 |
| CHECKED BY:<br>Laszlo G     | 07/19/16 |
| RELEASED BY:<br>Laszlo G    | 07/19/16 |

DRAWING NO.:  
**M-Cad-1PB-153\_905\_L**

REV.:  
 -

SCALE: - SHEET: 1 OF: 1