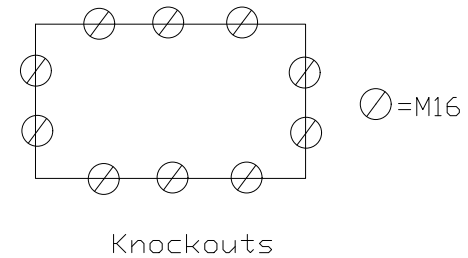
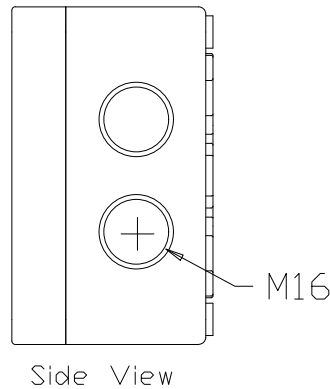
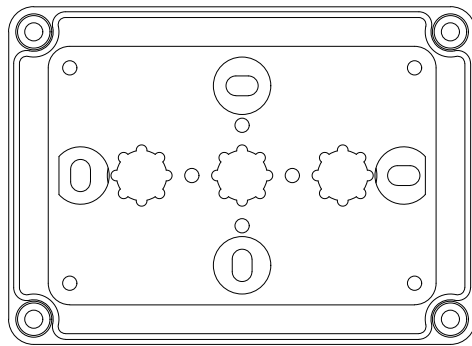
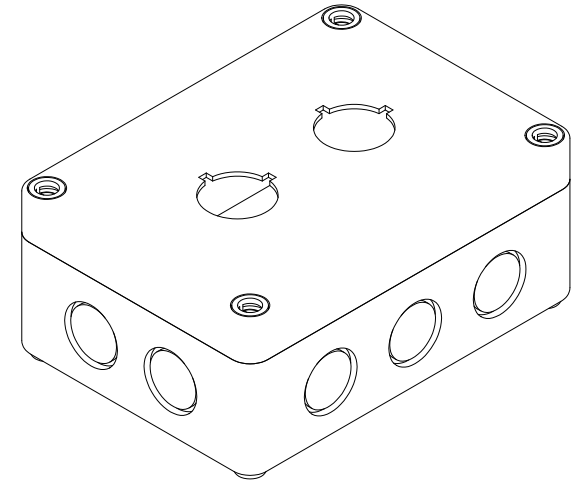
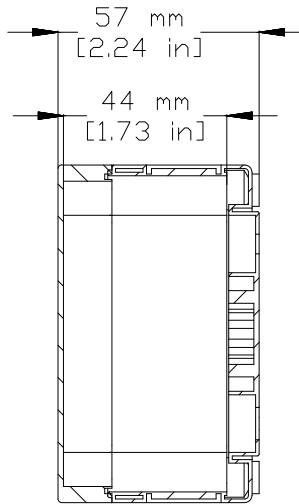
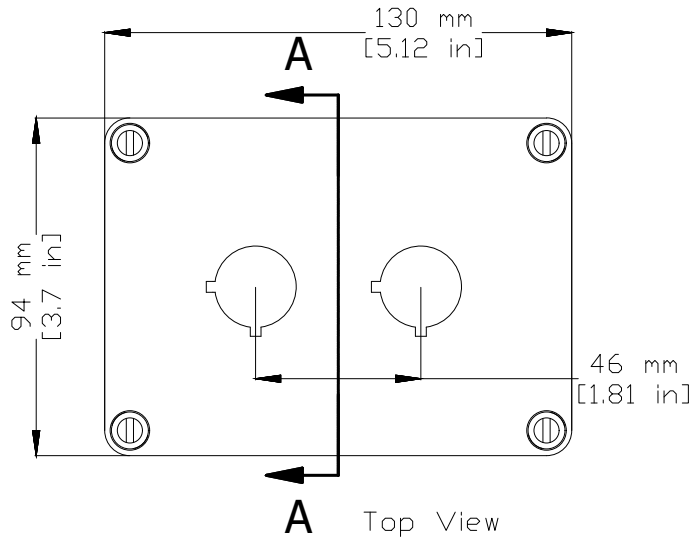


REVISIONS FOR DWG # 153-902-L

REV	CH.NO.	DESCRIPTION	DATE	REVISED BY
-	-	ORIGINAL DESIGN	07/19/16	ARON G



UNLESS OTHERWISE SPECIFIED  
• ALL DIMENSIONS ARE IN MILLIMETERS  
• THIRD ANGLE PROJECTION

• TOLERANCE	
XX	1.00 mm
XX.X	0.50 mm
XX.XX	0.20 mm
ALL	XX mm

CIRTEC

This Drawing is the property of  
**Altrech Corp.**<sup>®</sup>  
35 Royal Road  
Flemington NJ 08822-6000  
(908) 806-9400 • Fax (908) 806-9490

AND IS A CONFIDENTIAL DISCLOSURE LENT WITHOUT CONSIDERATION OTHER THAN THE BORROWER'S AGREEMENT THAT IT SHALL NOT BE REPRODUCED, COPIED, LENT, OR DISPOSED OF DIRECTLY OR INDIRECTLY NOR USED FOR ANY PURPOSE OTHER THAN THAT FOR WHICH IT IS SPECIFICALLY FURNISHED.

TITLE: 22mm Polycarbonate Enclosure  
Two Hole Enclosure

DRAWN BY: Aron Gyorgypal	07/19/16	DRAWING NO.:	M-Cad-1PB-153_902_L	REV.:	-
CHECKED BY: Laszlo G	07/19/16	SCALE:	-	SHEET:	1 OF: 1
RELEASED BY: Laszlo G	07/19/16				