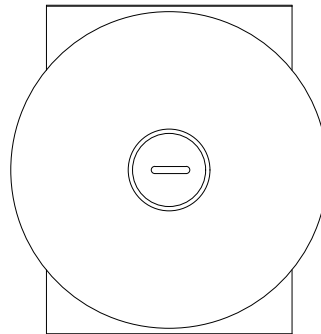
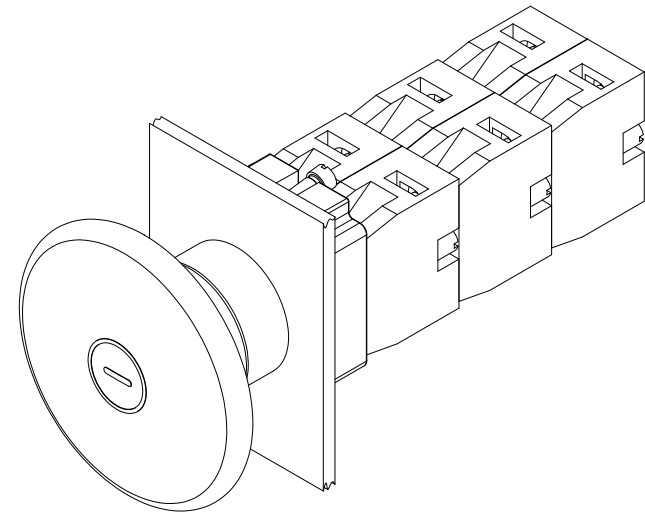
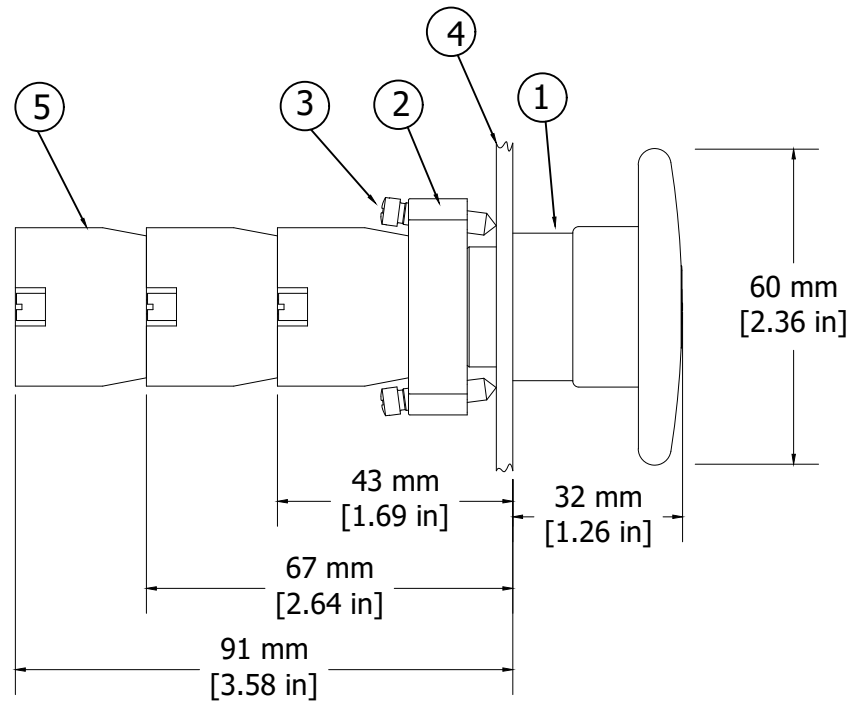


REVISIONS FOR DWG # 2AMPPJX

REV	CH.NO.	DESCRIPTION	DATE	REVISED BY
-	-	ORIGINAL DESIGN	07/15/16	ARON G



ITEM	DESCRIPTION	CAT. NO.	COLOR	MIN. QTY.	MAX. QTY.
1	Mushroom Push-Pull Large Operator (comes with mounting bracket 2BRK)	2AMPPJ1	White	1	1
		2AMPPJ2	Black	1	1
		2AMPPJ3	Green	1	1
		2AMPPJ4	Red	1	1
		2AMPPJ6	Blue	1	1
		2AMPPJ8	Yellow	1	1
2	Mounting Bracket	2BRK	-	1	1
3	Mounting Bracket Screws	incl. in 2BRK	-	2	2
4	Panel	-	-	-	-
5	Switch Contacts	S1	Green	1	6
		S2	Red	1	6
		S3	Green/Gray	1	6
		S4	Red/Gray	1	6

UNLESS OTHERWISE SPECIFIED
 • ALL DIMENSIONS ARE IN MILLIMETERS
 • THIRD ANGLE PROJECTION

• TOLERANCE

XX	mm	1.00
XX.X	mm	0.50
XX.XX	mm	0.20
ALL	mm	XX

CIRTEK

This Drawing is the property of
Altech Corp.[®]
 35 Royal Road
 Flemington NJ 08822-6000
 (908) 806-9400 • Fax (908) 806-9490

AND IS A CONFIDENTIAL DISCLOSURE LENT WITHOUT CONSIDERATION OTHER THAN THE BORROWER'S AGREEMENT THAT IT SHALL NOT BE REPRODUCED, COPIED, LENT, OR DISPOSED OF DIRECTLY OR INDIRECTLY NOR USED FOR ANY PURPOSE OTHER THAN THAT FOR WHICH IT IS SPECIFICALLY FURNISHED.

TITLE: 22mm Non-Illuminated Mushroom Metal Operator Push-Pull Large, PN:2AMPPJX

DRAWN BY: Aron Gyorgypal	07/15/16	DRAWING NO.:	M-Cad-1PB-2AMPPJX	REV.:	-
CHECKED BY: Laszlo G	07/15/16	SCALE:	-	SHEET:	1 OF: 1
RELEASED BY: Laszlo G	07/15/16				