

Up to **six** switch contacts can be installed.

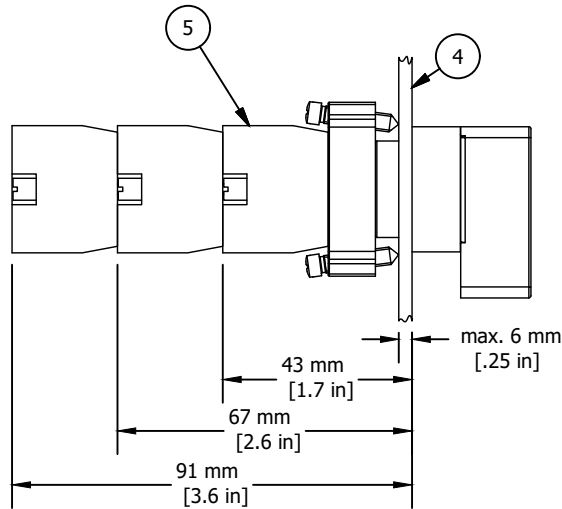
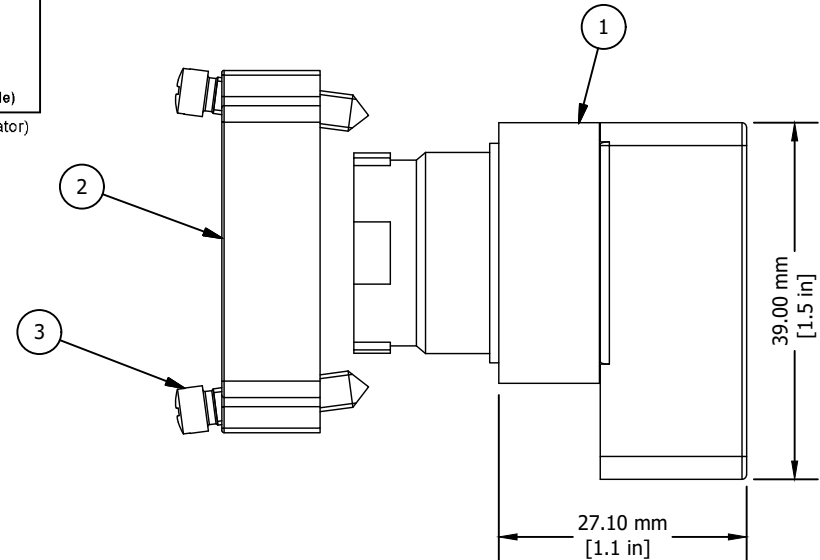
**3 POSITION SELECTOR SWITCH CONTACT BLOCK OPERATION GUIDE**

↺	↑	↻	CONTACT BLOCK GUIDE
×	○	○	1 NO (left)
○	×	○	2 NC in series (side × side)
○	○	×	1 NO (right)
×	×	○	1 NC (right)
○	×	×	1 NC (left)
×	○	×	2 NO in parallel (side × side)

(Left or right as seen from front of operator)

REVISIONS FOR DWG # 2AS2E-X

REV	CH.NO.	DESCRIPTION	DATE	REVISED BY
-	-	ORIGINAL DESIGN	07/18/16	ARON G



ITEM	DESCRIPTION	CAT. NO.	DESCRIPTION	Color	MIN. QTY.	MAX. QTY.
1*	Selector Switch	2AS2E-1	Maintained	Black	1	1
		2AS2E-2	Spring Return	Black	1	1
		2AS2E-3	Maintained	Black	1	1
		2AS2E-4	Spring Return	Black	1	1
		2AS2E-5	Spring Return	Black	1	1
		2AS2E-6	Spring Return	Black	1	1
2*	Mounting Bracket	2BRK	-	-	1	1
3	Mounting Bracket Screws	incl. in 2BRK	-	-	2	2
4	Panel	-	-	-	-	-
5**	Switch Contacts	S1	-	Green	1	6
		S2	-	Red	1	6
		S3	-	Green/Black	1	6
		S4	-	Red/Black	1	6

\* = Selector Switch is supplied with mounting bracket (ITEM 1,2 and 3)  
 \*\* = Switch Contacts must be order separately

UNLESS OTHERWISE SPECIFIED  
 • ALL DIMENSIONS ARE IN MILLIMETERS  
 • THIRD ANGLE PROJECTION

TOLERANCE	SYMBOL	VALUE
XX	∅	1.00mm
XX.X	∅	0.50 mm
XX.XX	∅	0.20 mm
ALL	∅	XXmm

CIRTIME

This Drawing is the property of  
**Altech Corp.**  
 35 Royal Road  
 Flemington NJ 08822-6000  
 (908) 806-9400 • Fax (908) 806-9490

AND IS A CONFIDENTIAL DISCLOSURE LENT WITHOUT CONSIDERATION OTHER THAN THE BORROWER'S AGREEMENT THAT IT SHALL NOT BE REPRODUCED, COPIED, LENT, OR DISPOSED OF DIRECTLY OR INDIRECTLY NOR USED FOR ANY PURPOSE OTHER THAN THAT FOR WHICH IT IS SPECIFICALLY FURNISHED.

TITLE: 22 mm Non-Illuminated Metal Selector Switch Operator, Extended Selector, PN: 2AS2E-X

DRAWN BY: Aron Gyorgypal	07/18/16	DRAWING NO.:	M-Cad-1PB-2AS2E-X	REV.:	-
CHECKED BY: Laszlo G	07/18/16	SCALE:	-	SHEET:	1 OF: 1
RELEASED BY: Laszlo G	07/18/16				