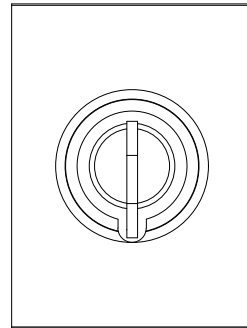
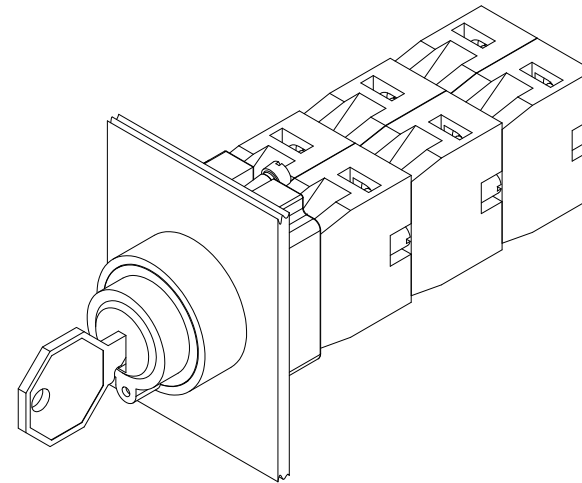
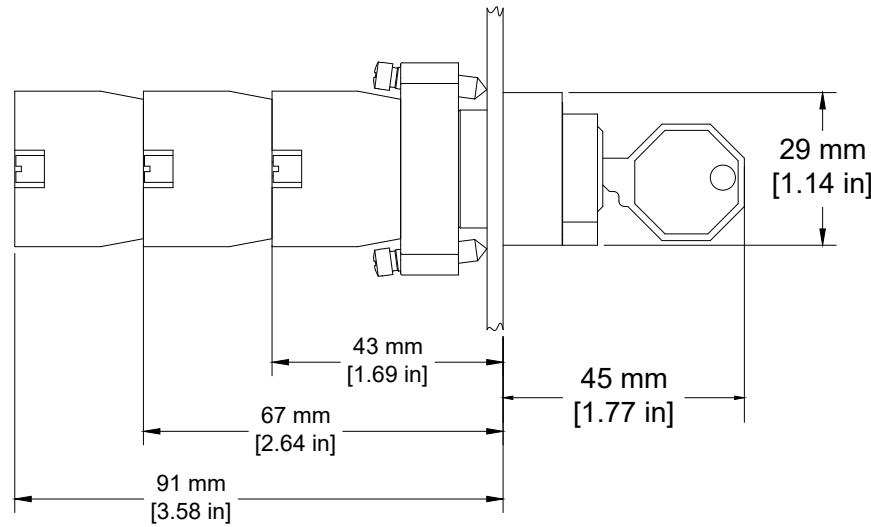


REVISIONS FOR DWG # 2AK2-XX

REV	CH.NO.	DESCRIPTION	DATE	REVISED BY
-	-	ORIGINAL DESIGN	08/09/16	ARON G



ITEM	DESCRIPTION	CAT. NO.	DESCRIPTION	Key Removal	MIN. QTY.	MAX. QTY.
1	Key Selector(comes with mounting bracket 2BRK)	2AK2-01	Maintained	Left/Right	1	1
		2AK2-02	Maintained	Left/Right	1	1
		2AK2-03	Maintained	Right	1	1
		2AK2-04	Spring Return	Left	1	1
		2AK2-05	Maintained	Left/Right	1	1
		2AK2-06	Maintained	All	1	1
		2AK2-07	Maintained	Center	1	1
		2AK2-08	Spring Return	Center	1	1
		2AK2-09	Spring Return	Center	1	1
		2AK2-10	Spring Return	Center	1	1
		2AK2-11	Maintained	Left	1	1
2	Key (incl. in Key Selector)	2KY455	-	-	1	1
3	Mounting Bracket	2BRK	-	-	1	1
4	Mounting Bracket Screws	incl. in 2BRK	-	-	2	2
5	Panel	-	-	-	-	-
6	Switch Contacts	S1		Green	1	6
		S2		Red	1	6
		S3		Green/Gray	1	6
		S4		Red/Gray	1	6

UNLESS OTHERWISE SPECIFIED  
 • ALL DIMENSIONS ARE IN MILLIMETERS  
 • THIRD ANGLE PROJECTION

• TOLERANCE	
XX	1.00 mm
XX.X	0.50 mm
XX.XX	0.20 mm
ALL	XX mm

CIRTIM

This Drawing is the property of

**Altech Corp.**

35 Royal Road  
 Flemington NJ 08822-6000  
 (908) 806-9400 • Fax (908) 806-9490

AND IS A CONFIDENTIAL DISCLOSURE LENT WITHOUT CONSIDERATION OTHER THAN THE BORROWER'S AGREEMENT THAT IT SHALL NOT BE REPRODUCED, COPIED, LENT, OR DISPOSED OF DIRECTLY OR INDIRECTLY NOR USED FOR ANY PURPOSE OTHER THAN THAT FOR WHICH IT IS SPECIFICALLY FURNISHED.

TITLE: 22 mm Non-Illuminated Metal Selector Switch Operator, PN:2AK2-XX

DRAWN BY: Aron Gyorgypal	08/09/16	DRAWING NO.:	M-Cad-1PB-2AK2-XX	REV.:	-
CHECKED BY: Laszlo G	08/09/16	SCALE:	-	SHEET:	1 OF: 1
RELEASED BY: Laszlo G	08/09/16				