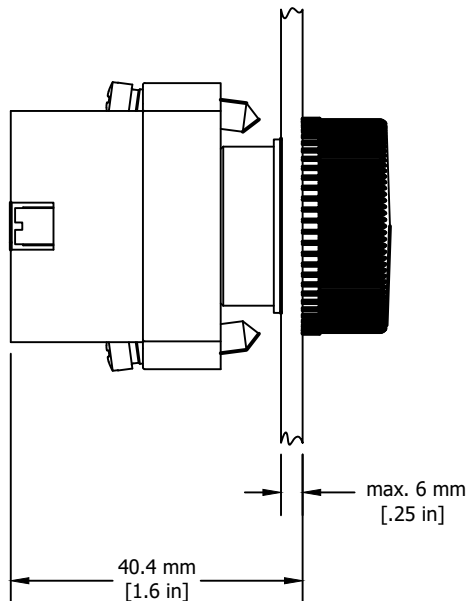
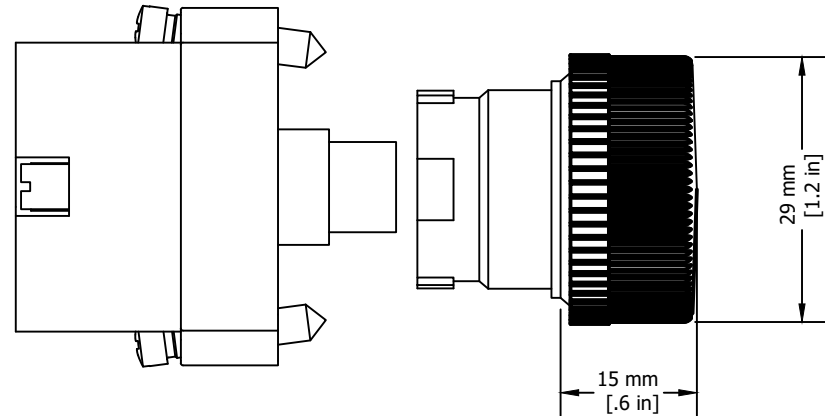
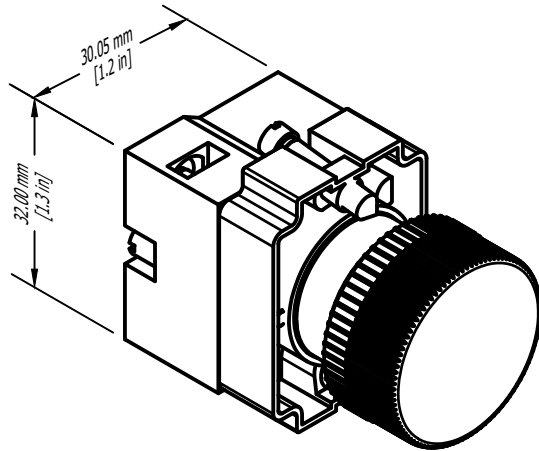


REVISIONS FOR DWG # 2PLBXLB-YYY

REV	CH.NO.	DESCRIPTION	DATE	REVISED BY
-	-	ORIGINAL DESIGN	07/18/16	ARON G



**yyy = Voltage**

<b>012</b>	=	12V AC/DC
<b>024</b>	=	24V AC/DC
<b>048</b>	=	48V AC/DC
<b>110</b>	=	110V AC/DC
<b>230</b>	=	230V AC
<b>230D</b>	=	230V DC

\* = Pilot Light is supplied with mounting bracket, bulb holder and LED (ITEM 1,2,3,4 and 5)

ITEM	DESCRIPTION	CAT. NO.	COLOR	MIN. QTY.	MAX. QTY.
1*	22 mm LED Pilot Light	2PLB1LB-yyy	White	1	1
		2PLB3LB-yyy	Green	1	1
		2PLB4LB-yyy	Red	1	1
		2PLB5LB-yyy	Amber	1	1
		2PLB6LB-yyy	Blue	1	1
		2PLB7LB-yyy	Clear	1	1
		2PLB8LB-yyy	Yellow	1	1
2*	Mounting Bracket	2BRK	-	1	1
3*	LED Bulb	MCB9xyyy	-	1	1
4*	Mounting Bracket Screws	incl. in 2BRK	-	2	2
5*	Bulb Holder	2LHB	-	1	1
6	Panel	-	-	-	-

UNLESS OTHERWISE SPECIFIED  
 • ALL DIMENSIONS ARE IN MILLIMETERS  
 • THIRD ANGLE PROJECTION

• TOLERANCE

XX	∅	1.00 mm
XX.X	∅	0.50 mm
XX.XX	∅	0.20 mm
ALL	∅	XX mm

C-RTM

This Drawing is the property of

**Altech Corp.**

35 Royal Road  
 Flemington NJ 08822-6000  
 (908) 806-9400 • Fax (908) 806-9490

AND IS A CONFIDENTIAL DISCLOSURE  
 LENT WITHOUT CONSIDERATION OTHER  
 THAN THE BORROWER'S AGREEMENT  
 THAT IT SHALL NOT BE REPRODUCED,  
 COPIED, LENT, OR DISPOSED OF  
 DIRECTLY OR INDIRECTLY NOR USED  
 FOR ANY PURPOSE OTHER THAN THAT  
 FOR WHICH IT IS SPECIFICALLY  
 FURNISHED.

TITLE: 22 mm LED Metal Pilot Lights  
 PN: 2PLBXLB-YYY

DRAWN BY: Aron Gyorgypal	07/18/16
CHECKED BY: Laszlo G	07/18/16
RELEASED BY: Laszlo G	07/18/16

DRAWING NO.:	M-Cad-1PB-2PLBXLB-YYY	REV.:	-
SCALE:	-	SHEET:	1 OF: 1