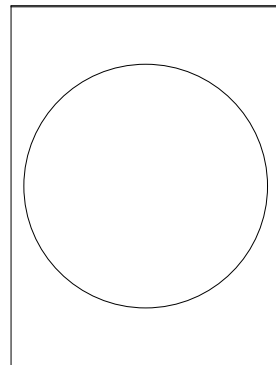
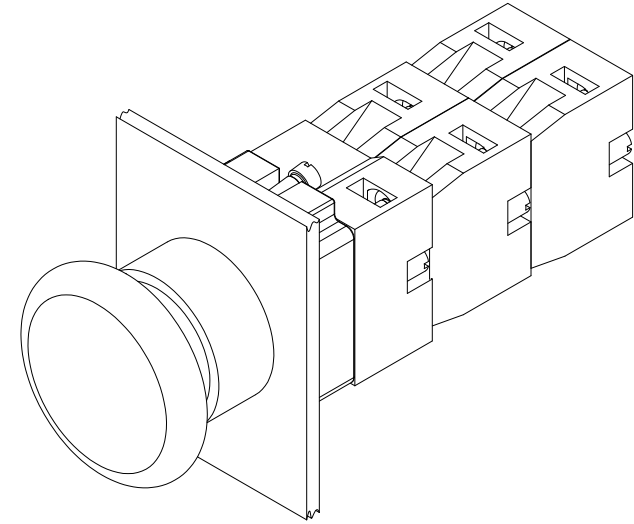
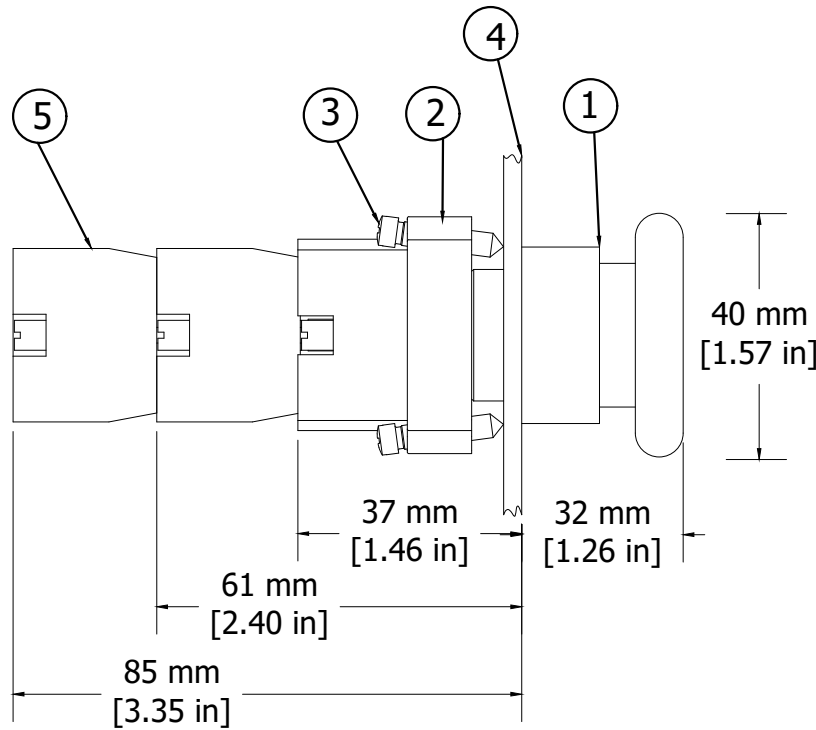


REVISIONS FOR DWG # 2ALMXMLB-XXX

REV	CH.NO.	DESCRIPTION	DATE	REVISED BY
-	-	ORIGINAL DESIGN	07/15/16	ARON G



XXX = Voltage

012	=	12V AC/DC
024	=	24V AC/DC
048	=	48V AC/DC
110	=	110V AC/DC
230	=	230V AC

ITEM	DESCRIPTION	CAT. NO.	COLOR	MIN. QTY.	MAX. QTY.
1	LED Illuminated Mushroom Metal Operator (comes with mounting bracket, LED bulb and bulb holder)	2ALM1LB-xxx	White	1	1
		2ALM3LB-xxx	Green	1	1
		2ALM4LB-xxx	Red	1	1
		2ALM5LB-xxx	Amber	1	1
		2ALM6LB-xxx	Blue	1	1
		2ALM7LB-xxx	Clear	1	1
2	Mounting Bracket	2BRK	-	1	1
3	LED Bulb	incl. in 2BRK	-	1	1
4	Mounting Bracket Screws	incl. in 2BRK	-	2	2
5	Bulb Holder	incl. in 2BRK	-	1	1
6	Panel	-	-	-	-
7	Switch Contacts	S1	Green	1	4
		S2	Red	1	4
		S3	Green/Gray	1	4
		S4	Red/Gray	1	4

UNLESS OTHERWISE SPECIFIED
 • ALL DIMENSIONS ARE IN MILLIMETERS
 • THIRD ANGLE PROJECTION

TOLERANCE	
XX	1.00 mm
XX.X	0.50 mm
XX.XX	0.20 mm
ALL	XX mm

CIRTEK

This Drawing is the property of

Altech Corp.

35 Royal Road
 Flemington NJ 08822-6000
 (908) 806-9400 • Fax (908) 806-9490

AND IS A CONFIDENTIAL DISCLOSURE LENT WITHOUT CONSIDERATION OTHER THAN THE BORROWER'S AGREEMENT THAT IT SHALL NOT BE REPRODUCED, COPIED, LENT, OR DISPOSED OF DIRECTLY OR INDIRECTLY NOR USED FOR ANY PURPOSE OTHER THAN THAT FOR WHICH IT IS SPECIFICALLY FURNISHED.

TITLE: 22mm LED Illuminated Mushroom Metal Operator Momentary, PN: 2ALMXMLB-XXX

DRAWN BY: Aron Gyorgypal	07/15/16	DRAWING NO.:	M-Cad-1PB-2ALMXMLB-XXX	REV.:	-
CHECKED BY: Laszlo G	07/15/16	SCALE:	-	SHEET:	1 OF: 1
RELEASED BY: Laszlo G	07/15/16				