

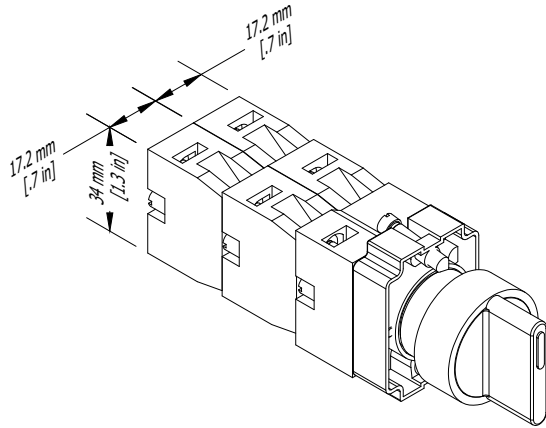
REVISIONS FOR DWG # 2ASLXLBY-ZZZ

REV	CH.NO.	DESCRIPTION	DATE	REVISED BY
-	-	ORIGINAL DESIGN	07/18/16	ARON G

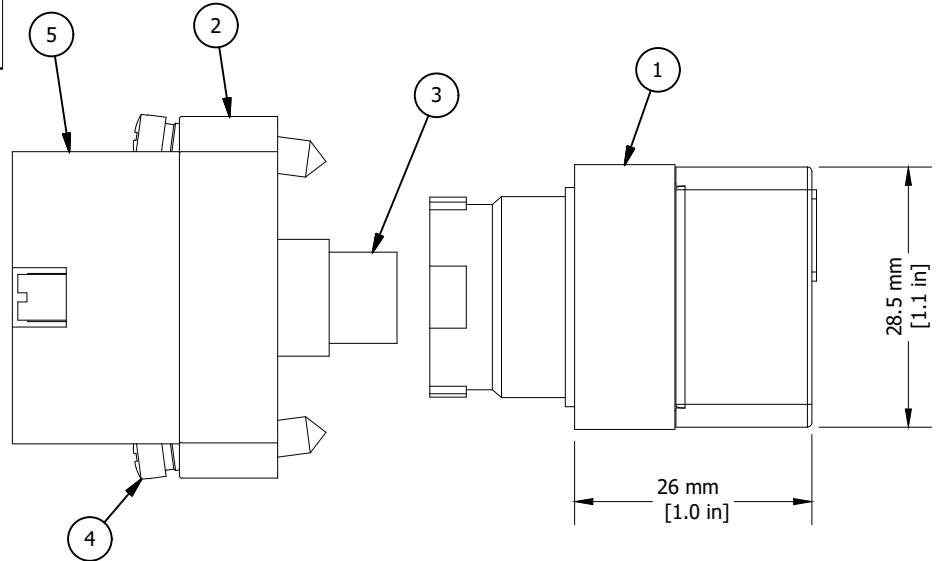
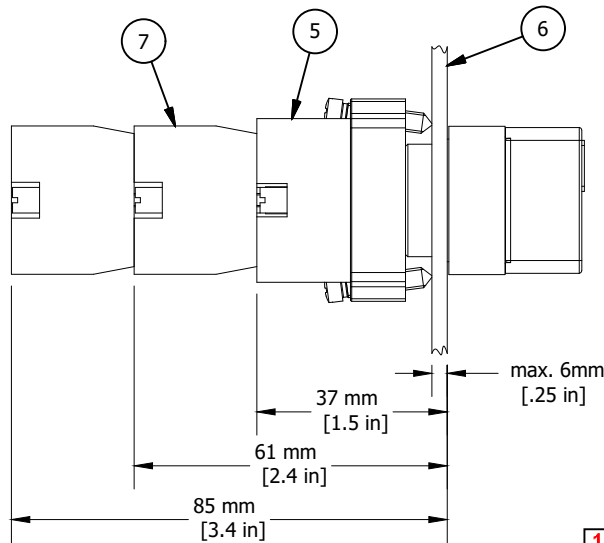
3 POSITION SELECTOR SWITCH
CONTACT BLOCK OPERATION GUIDE

CONTACT BLOCK GUIDE			
⊗	○	○	1 NO (left)
○	⊗	○	2 NC in series (side × side)
○	○	⊗	1 NO (right)
⊗	⊗	○	1 NC (right)
○	⊗	⊗	1 NC (left)
⊗	○	⊗	2 NO in parallel (side × side)

(Left or right as seen from front of operator)



Up to **four** switch contacts can be installed.



zzz = Voltage

012	= 12V AC/DC
024	= 24V AC/DC
048	= 48V AC/DC
110	= 110V AC/DC
230	= 230V AC
230D	= 230V DC

y = Voltage

1	=	2 Position Maintained
2	=	2 Position Spring Return
3	=	3 Position Maintained
4	=	3 Position Spring Return from left and right
5	=	3 Position Spring Return from right
6	=	3 Position Spring Return from

ITEM	DESCRIPTION	CAT. NO.	COLOR	MIN. QTY.	MAX. QTY.
1*	LED Illuminated Metal Selector Switch	2ASL1LB-y-zzz	White	1	1
		2ASL3LB-y-zzz	Green	1	1
		2ASL4LB-y-zzz	Red	1	1
		2ASL5LB-y-zzz	Amber	1	1
		2ASL6LB-y-zzz	Blue	1	1
		2ASL7LB-y-zzz	Clear	1	1
2ASL8LB-y-zzz	Yellow	1	1		
2*	Mounting Bracket	2BRK	-	1	1
3*	LED Bulb	MCB9-zzz	-	1	1
4*	Mounting Bracket Screws	incl. in 2BRK	-	2	2
5*	Blub Holder	2LHB	-	1	1
6	Panel	-	-	-	-
7**	Switch Contacts	S1	Green	1	4
		S2	Red	1	4
		S3	Green/Gray	1	4
		S4	Red/Gray	1	4

* = Selector Switch is supplied with mounting bracket, bulb holder and LED (ITEM 1,2,3,4 and 5)

** = Switch Contacts must be order separately

UNLESS OTHERWISE SPECIFIED
• ALL DIMENSIONS ARE IN MILLIMETERS
• THIRD ANGLE PROJECTION

TOLERANCE		
XX	±	1.00mm
XX.X	±	0.50 mm
XX.XX	±	0.20 mm
ALL	±	XXmm

CIRTEC

This Drawing is the property of

Altech Corp.

35 Royal Road
Flemington NJ 08822-6000
(908) 806-9400 • Fax (908) 806-9490

AND IS A CONFIDENTIAL DISCLOSURE LENT WITHOUT CONSIDERATION OTHER THAN THE BORROWER'S AGREEMENT THAT IT SHALL NOT BE REPRODUCED, COPIED, LENT, OR DISPOSED OF DIRECTLY OR INDIRECTLY NOR USED FOR ANY PURPOSE OTHER THAN THAT FOR WHICH IT IS SPECIFICALLY FURNISHED.

TITLE: 22 mm LED Illuminated Metal Selector Switch Operator, PN: 2ASLXLBY-ZZZ

DRAWN BY: Aron Gyorgypal	07/18/16	DRAWING NO.:	M-Cad-1PB-2ASLXLBY-ZZZ	REV.:	-
CHECKED BY: Laszlo G	07/18/16	SCALE:	-	SHEET:	1 OF: 1
RELEASED BY: Laszlo G	07/18/16				