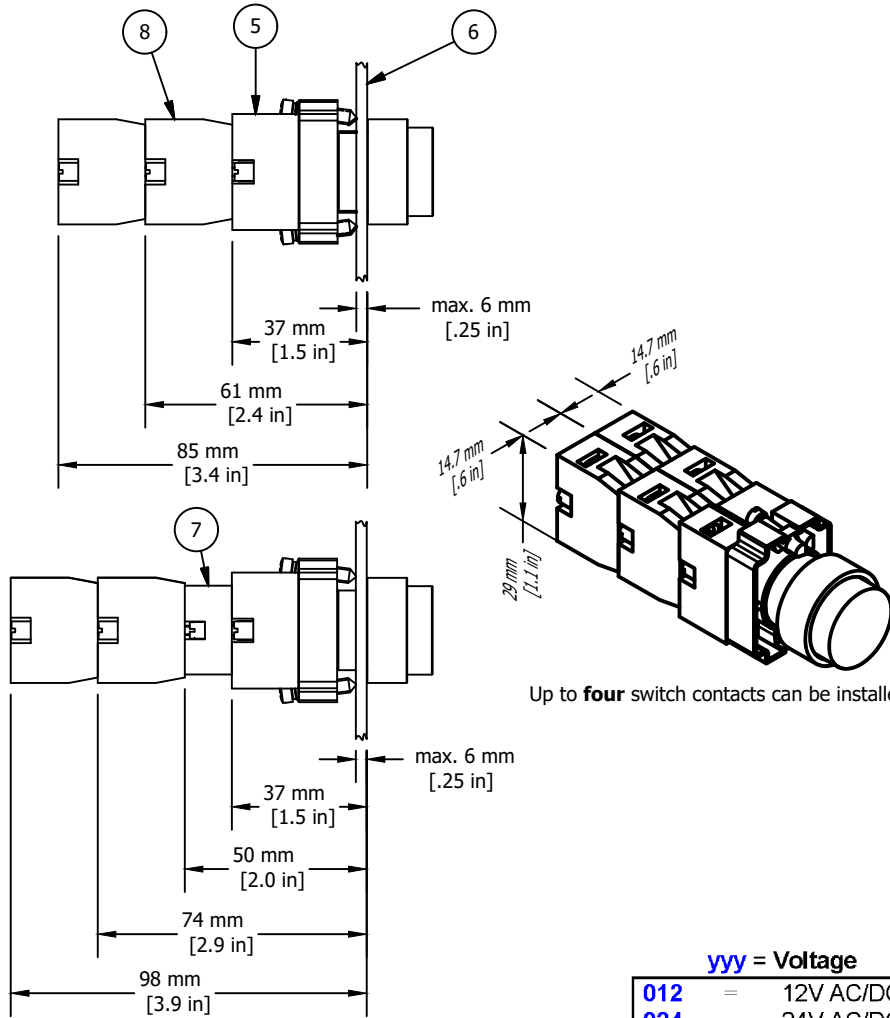


REVISIONS FOR DWG # 2ALPXLB-YYY

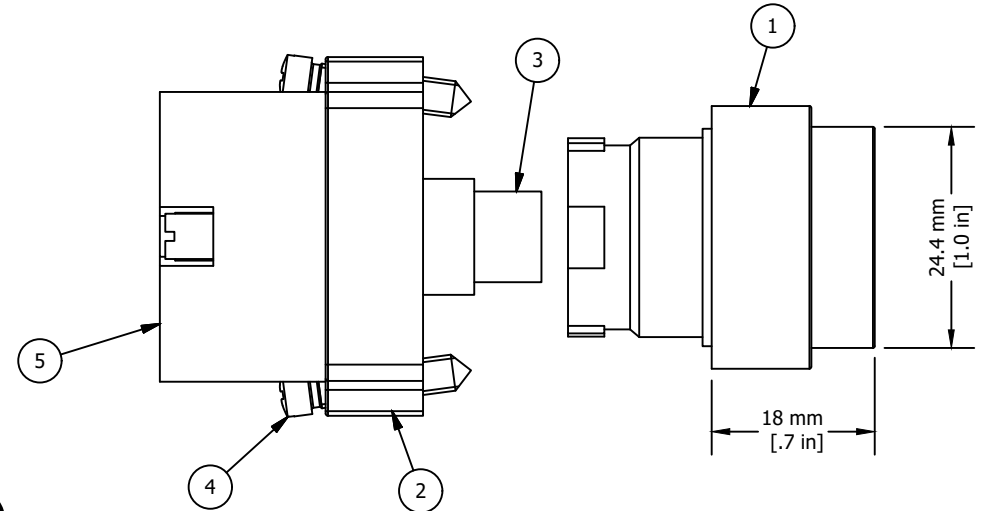
REV	CH.NO.	DESCRIPTION	DATE	REVISED BY
-	-	ORIGINAL DESIGN	07/18/16	ARON G



Up to **four** switch contacts can be installed.

yyy = Voltage

012	=	12V AC/DC
024	=	24V AC/DC
048	=	48V AC/DC
110	=	110V AC/DC
230	=	230V AC
230D	=	230V DC



ITEM	DESCRIPTION	CAT. NO.	COLOR	MIN. QTY.	MAX. QTY.
1*	LED Illuminated Metal Selector Switch	2ALP1LB-yyy	White	1	1
		2ALP3LB-yyy	Green	1	1
		2ALP4LB-yyy	Red	1	1
		2ALP5LB-yyy	Amber	1	1
		2ALP6LB-yyy	Blue	1	1
		2ALP7LB-yyy	Clear	1	1
		2ALP8LB-yyy	Yellow	1	1
2*	Mounting Bracket	2BRK	-	1	1
3*	LED Bulb	MCB9xzzz	-	1	1
4*	Mounting Bracket Screws	incl. in 2BRK	-	2	2
5*	Blub Holder	2LHB	-	1	1
6	Panel	-	-	-	-
7	Maintained Action mechanism	2PPM	Black	1	1
8**	Switch Contacts	S1	Green	1	4
		S2	Red	1	4
		S3	Green/Gray	1	4
		S4	Red/Gray	1	4

For maintained action use Cat. No. **2PPM**

* = Selector Switch is supplied with mounting bracket, bulb holder and LED (ITEM 1,2,3,4 and 5)

** = Switch Contacts must be ordered separatly

UNLESS OTHERWISE SPECIFIED
 • ALL DIMENSIONS ARE IN MILLIMETERS
 • THIRD ANGLE PROJECTION

• TOLERANCE	
XX	± 1.00 mm
XX.X	± 0.50 mm
XX.XX	± 0.20 mm
ALL	± XX mm

C-RTM

This Drawing is the property of

Altech Corp.

35 Royal Road
 Flemington NJ 08822-6000
 (908) 806-9400 • Fax (908) 806-9490

AND IS A CONFIDENTIAL DISCLOSURE LENT WITHOUT CONSIDERATION OTHER THAN THE BORROWER'S AGREEMENT THAT IT SHALL NOT BE REPRODUCED, COPIED, LENT, OR DISPOSED OF DIRECTLY OR INDIRECTLY NOR USED FOR ANY PURPOSE OTHER THAN THAT FOR WHICH IT IS SPECIFICALLY FURNISHED.

TITLE: 22 mm LED Illuminated Metal Projecting Operator, PN: 2ALPXLB-YYY

DRAWN BY: Aron Gyorgypal	07/18/16
CHECKED BY: Laszlo G	07/18/16
RELEASED BY: Laszlo G	07/18/16

DRAWING NO.:
M-Cad-1PB-2ALPXLB-YYY

REV.:
-

SCALE: - SHEET: 1 OF: 1