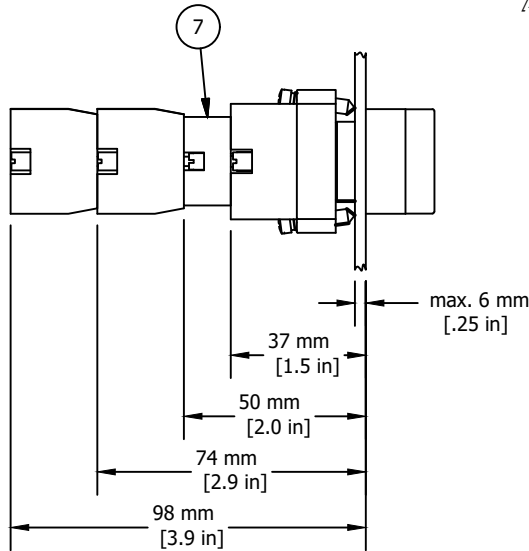
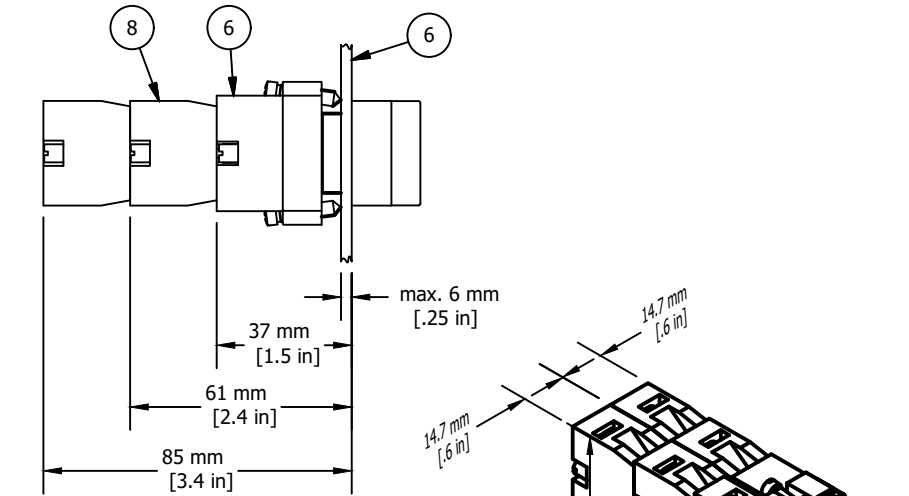


REVISIONS FOR DWG # 2ALFXLB-YYY

REV	CH.NO.	DESCRIPTION	DATE	REVISED BY
-	-	ORIGINAL DESIGN	07/18/16	ARON G

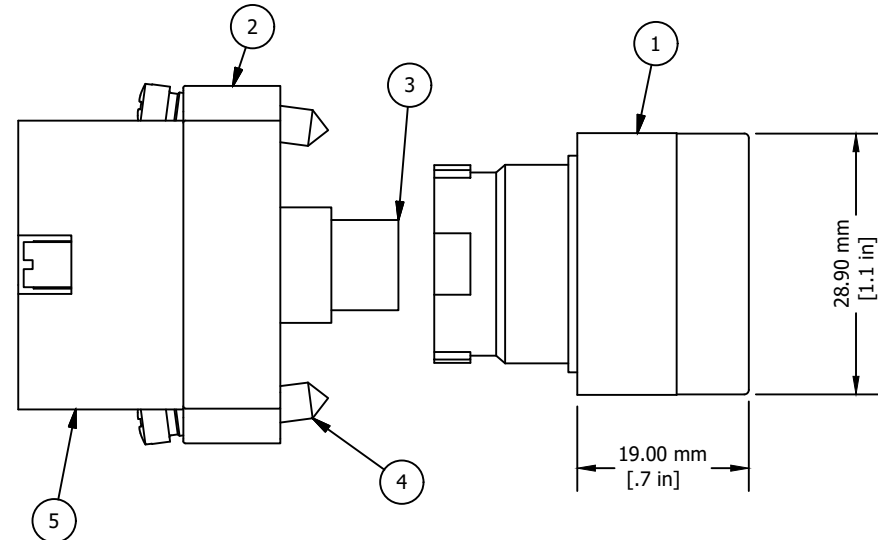


Up to four switch contacts can be installed.

For maintained action use Cat. No. **2PPM (ITEM 7)**

**yyy = Voltage**

<b>012</b>	=	12V AC/DC
<b>024</b>	=	24V AC/DC
<b>048</b>	=	48V AC/DC
<b>110</b>	=	110V AC/DC
<b>230</b>	=	230V AC
<b>230D</b>	=	230V DC



- \* = Selector Switch is supplied with mounting bracket, bulb holder and LED (ITEM 1,2,3,4 and 5)
- \*\* = Switch Contacts must be ordered separately

ITEM	DESCRIPTION	CAT. NO.	COLOR	MIN. QTY.	MAX. QTY.
1*	LED Illuminated Metal Selector Switch (Flush, Momentary)	2ALF1LB-yyy	White	1	1
		2ALF3LB-yyy	Green	1	1
		2ALF4LB-yyy	Red	1	1
		2ALF5LB-yyy	Amber	1	1
		2ALF6LB-yyy	Blue	1	1
		2ALF7LB-yyy	Clear	1	1
2ALF8LB-yyy	Yellow	1	1		
2*	Mounting Bracket	2BRK	-	1	1
3*	LED Bulb	MCB9xyyy	-	1	1
4*	Mounting Bracket Screws	incl. in 2BRK	-	2	2
5*	Bulb Holder	2LHB	-	1	1
6	Panel	-	-	-	-
7	Maintained Action mechanism	2PPM	Black	1	1
		S1	Green	1	4
		S2	Red	1	4
		S3	Green/Black	1	4
		S4	Red/Black	1	4
8**	Switch Contacts				

UNLESS OTHERWISE SPECIFIED  
 • ALL DIMENSIONS ARE IN MILLIMETERS  
 • THIRD ANGLE PROJECTION

• TOLERANCE

XX	±	1.00 mm
XX.X	±	0.50 mm
XX.XX	±	0.20 mm
ALL	±	XX mm

CIRTIME

This Drawing is the property of

**Altrech Corp.**

35 Royal Road  
 Flemington NJ 08822-6000  
 (908) 806-9400 • Fax (908) 806-9490

AND IS A CONFIDENTIAL DISCLOSURE LENT WITHOUT CONSIDERATION OTHER THAN THE BORROWER'S AGREEMENT THAT IT SHALL NOT BE REPRODUCED, COPIED, LENT, OR DISPOSED OF DIRECTLY OR INDIRECTLY NOR USED FOR ANY PURPOSE OTHER THAN THAT FOR WHICH IT IS SPECIFICALLY FURNISHED.

TITLE: 22 mm LED Illuminated Metal Flush Operator, PN:2ALFXLB-YYY

DRAWN BY: Aron Gyorgypal	07/18/16
CHECKED BY: Laszlo G	07/18/16
RELEASED BY: Laszlo G	07/18/16

DRAWING NO.:	M-Cad-1PB-2ALFXLB-YYY
SCALE:	-

REV.:	-
SHEET:	1
OF:	1