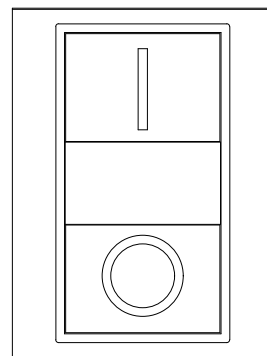
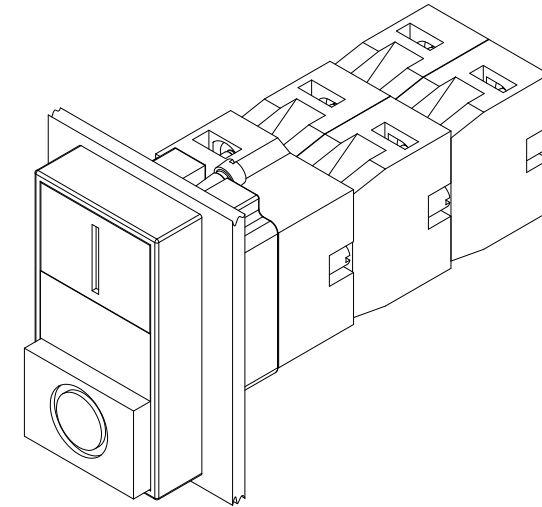
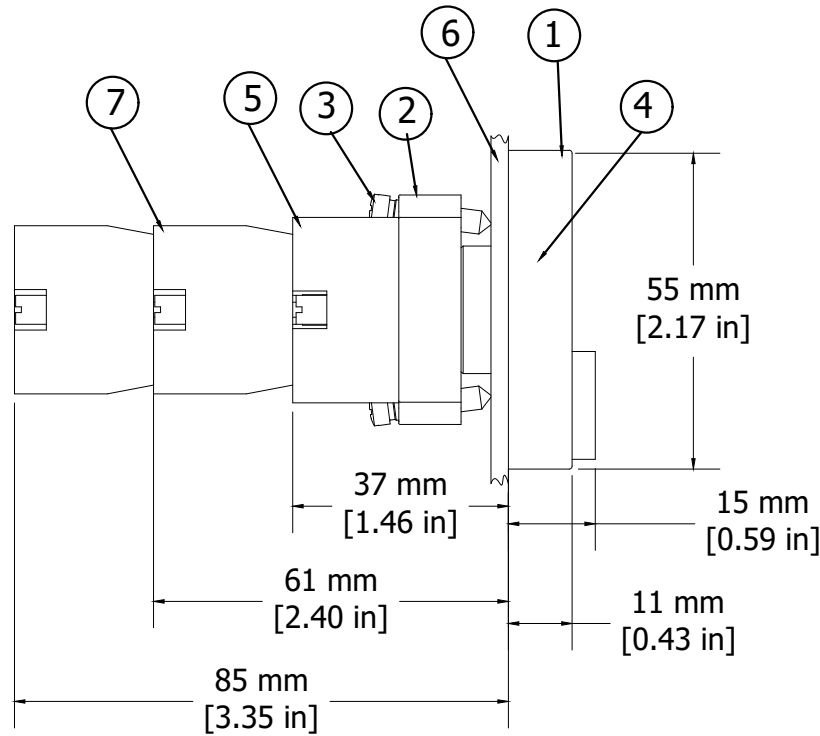


REVISIONS FOR DWG # 2ATL5LB-F3F4-IO-XXX

REV	CH.NO.	DESCRIPTION	DATE	REVISED BY
-	-	ORIGINAL DESIGN	07/15/16	ARON G



ITEM	DESCRIPTION	CAT. NO.	VOLTAGE	COLOR	MIN. QTY.	MAX. QTY.
1	Twin Touch/ I-O marked, red projected, illuminated center (comes with 2BRK)	2ATL5LB F3P4-IO-012	10 V AC/DC	Red/Green;Amber	1	1
		2ATL5LB F3P4-IO-024	24 V AC/DC	Red/Green;Amber	1	1
		2ATL5LB F3P4-IO-048	48 V AC/DC	Red/Green;Amber	1	1
		2ATL5LB F3P4-IO-110	110 V AC/DC	Red/Green;Amber	1	1
		2ATL5LB F3P4-IO-230	230 V AC/DC	Red/Green;Amber	1	1
2	Mounting Bracket	2BRK	-	-	1	1
3	Mounting Bracket Screws	incl. in 2BRK	-	-	2	2
4	LED Bulb	incl. in 2BRK	-	-	1	1
5	Bulb Holder	incl. in 2BRK	-	-	1	1
6	Panel	-	-	-	-	-
7	Switch Contacts	S1	-	Green	1	4
		S2	-	Red	1	4
		S3	-	Green/Gray	1	4
		S4	-	Red/Gray	1	4

UNLESS OTHERWISE SPECIFIED
 • ALL DIMENSIONS ARE IN MILLIMETERS
 • THIRD ANGLE PROJECTION

• TOLERANCE	
XX	1.00 mm
XX.X	0.50 mm
XX.XX	0.20 mm
ALL	XX mm

CIRTECH

This Drawing is the property of

Altech Corp.

35 Royal Road
 Flemington NJ 08822-6000
 (908) 806-9400 • Fax (908) 806-9490

AND IS A CONFIDENTIAL DISCLOSURE LENT WITHOUT CONSIDERATION OTHER THAN THE BORROWER'S AGREEMENT THAT IT SHALL NOT BE REPRODUCED, COPIED, LENT, OR DISPOSED OF DIRECTLY OR INDIRECTLY NOR USED FOR ANY PURPOSE OTHER THAN THAT FOR WHICH IT IS SPECIFICALLY FURNISHED.

TITLE: 22mm Twin Touch Metal LED Illuminated Operator I-O Marked

DRAWN BY: Aron Gyorgypal	07/15/16
CHECKED BY: Laszlo G	07/15/16
RELEASED BY: Laszlo G	07/15/16

DRAWING NO.:
M-Cad-1PB-2ATL5LB-F3F4-IO-XXX

REV.:
-

SCALE: - SHEET: 1 OF: 1